



BIERSIN

We connect the best ones

Polish manufacturer of power cords and electrical harnesses

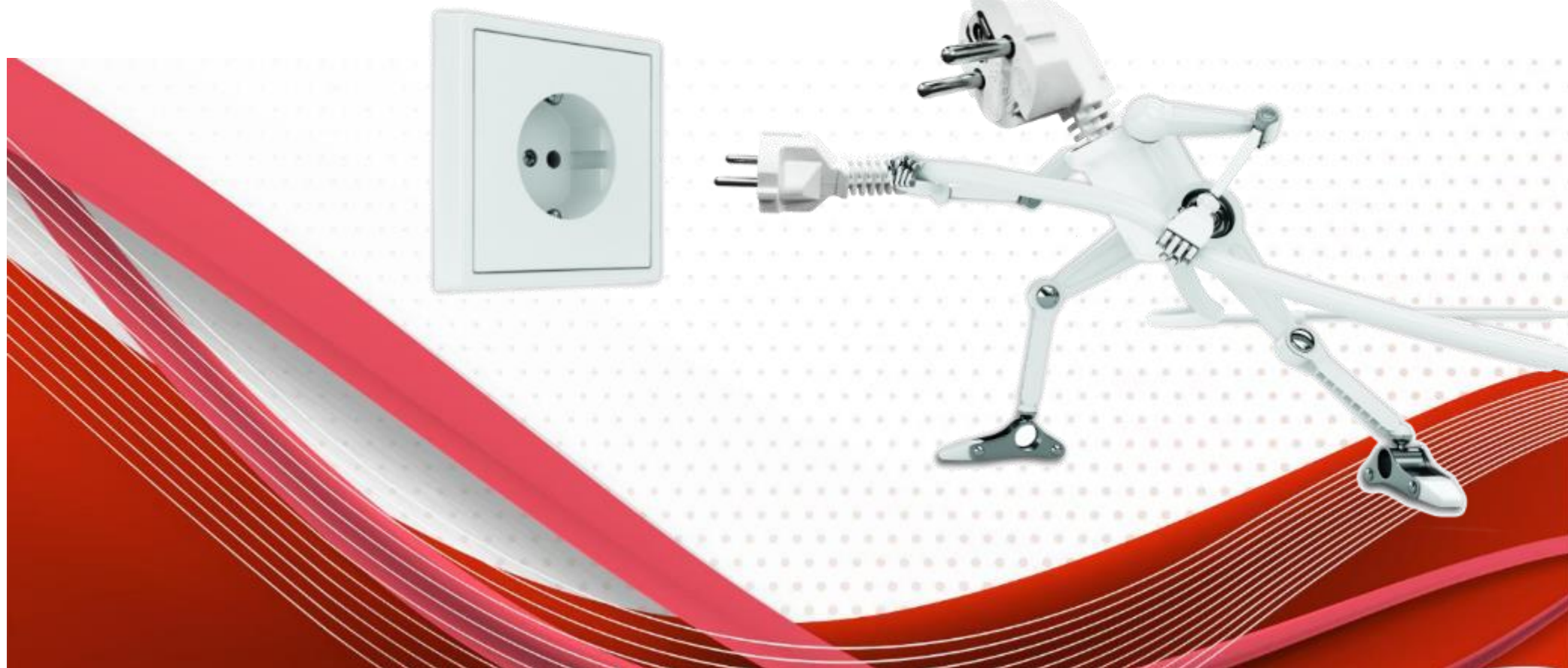


Table of contents

Moulded Plugs	6
S-1 Plug	7
S-3 Plug	9
S-4 Plug	11
S-8 Plug	13
S-11 Plug	15
S-13 Plug	17
S-15 Plug	19
Connectors and Plugs	21
N-2 Connector	22
N-3 Connector	24
N-4 Connector	26
N-7 Connector	28
N-10 Connector	30
W-1 Plug.....	32
Power Cords	34
SN-14 Power Cord.....	35
SN-32 Power Cord.....	36
SN-33 Power Cord.....	37
SN-37 Power Cord.....	38
SN-39 Power Cord.....	39
SN-112 Power Cord.....	40
SN-113 Power Cord.....	41

SN-117 Power Cord.....	42
SN-134 Power Cord.....	43
SN-152 Power Cord.....	44
SN-153 Power Cord.....	45
SN-157 Power Cord.....	46
SN-159 Power Cord.....	47
SN-310 Power Cord.....	48
SN-1110 Power Cord.....	49
SN-1510 Power Cord.....	50
WN-12 Power Cord	51
WN-13 Power Cord	52
WN-17 Power Cord	53
WN-110 Power Cord	54
11-1 type I Sewing machine power cord	55
11-1 type II Sewing machine power cord.....	56
40-0 Sewing machine power cord	57
48-2 Sewing machine power cord	58
53-0 Sewing machine power cord	59
SN-112 Sewing machine power cord	60
SN-113 Sewing machine power cord	61
SN-113 P Sewing machine power cord	62
SN-114 Sewing machine power cord	63
SN-116 Sewing machine power cord	64
SN-117 Sewing machine power cord	65
SN-119 Sewing machine power cord	66

Assembly	67
Bend Protectors	68
G-3 Bend Protector	69
O-11 Bend Protector	70
O-12 Bend Protector	71
O-13 Bend Protector	72
O-14 Bend Protector	73
O-15 Bend Protector	74
O-16 Bend Protector	75
O-17 Bend Protector	76
O-18 Bend Protector	77
O-19 Bend Protector	78
O-20 Bend Protector	79
O-21 Bend Protector	80
O-22 Bend Protector	81
O-23 Bend Protector	82
O-24 Bend Protector	83
O-25 Bend Protector	84
O-26 Bend Protector	85
O-27 Bend Protector	86
O-28 Bend Protector	87
O-29 Bend Protector	88
O-30 Bend Protector	89
O-31 Bend Protector	90
O-32 Bend Protector	91

O-34 Bend Protector	92
O-35 Bend Protector	93
O-36 Bend Protector	94
O-37 Bend Protector	95
O-38 Bend Protector	96
O-39 Bend Protector	97
O-40 Bend Protector	98
Cable Ends and Terminals.....	99
Complete Insulation Stripping	100
KZ-type End Splices.....	101
Tin Soldering (lead-free)	102
Groove Terminals	103
Partial Insulation Stripping	104
Tongue Terminals	105
Uninsulated Cord-end Terminals (H)	106
Ring Terminals	107
Insulated Cord-end Terminals (HI).....	108
„Piggy-Back” Groove Terminals.....	109
Extension cords	110
Wire Harnesses.....	111



Welcome to BSN BIERSIN

We are polish manufacturer of power cords and wire harnesses. BIERSIN has been continuously operating on the polish and international market since 1985. Initially, the company manufactured power cables for sewing machines (including: Łucznik, Singer).

Today our wires can be found in electric stoves, gas hobs, washing machines, refrigerators, freezers, dishwashers, dryers, meters, laptops, controllers and many other appliances.

Our quality has been appreciated by: LG, Fagor, Elektromet, Sonel, Zelmer, Biawar, Kospel, Galmet, Tech, KG, Solgaz, Posnet, Bosch, Karlik.

We want to be a reliable partner who cares about high quality products, unquestionable business ethics, continuous development. For this reason, we have implemented the ISO 9001:2015 management system, we are a member of PIGE (Polish Chamber of Commerce for Electronics), many products have VDE, we have been awarded the Business Gazelles several times.

Come and join us

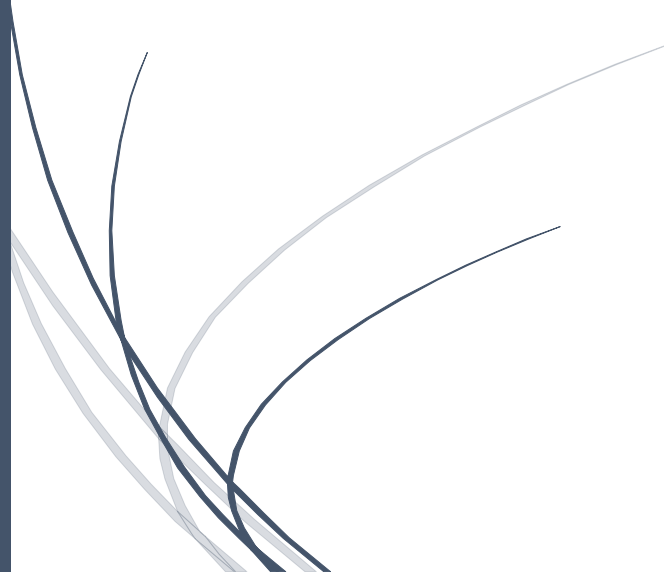




Moulded Plugs

Moulded Plugs

Non-separable plugs pressed on the cable
for class I and II devices



S-1 Plug




Intended use: 

Technical characteristics – Cable in accordance with: PN-EN 50075:2001.

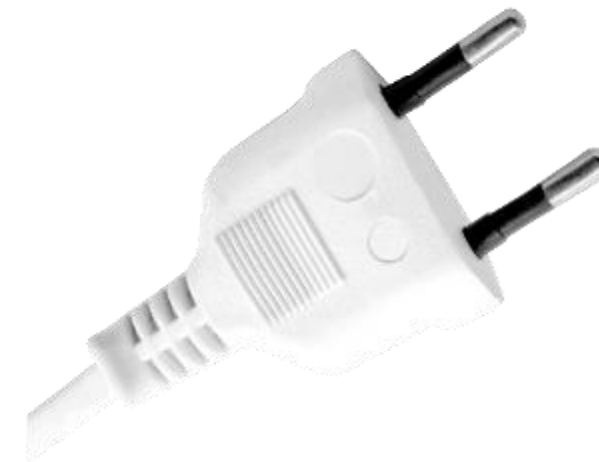
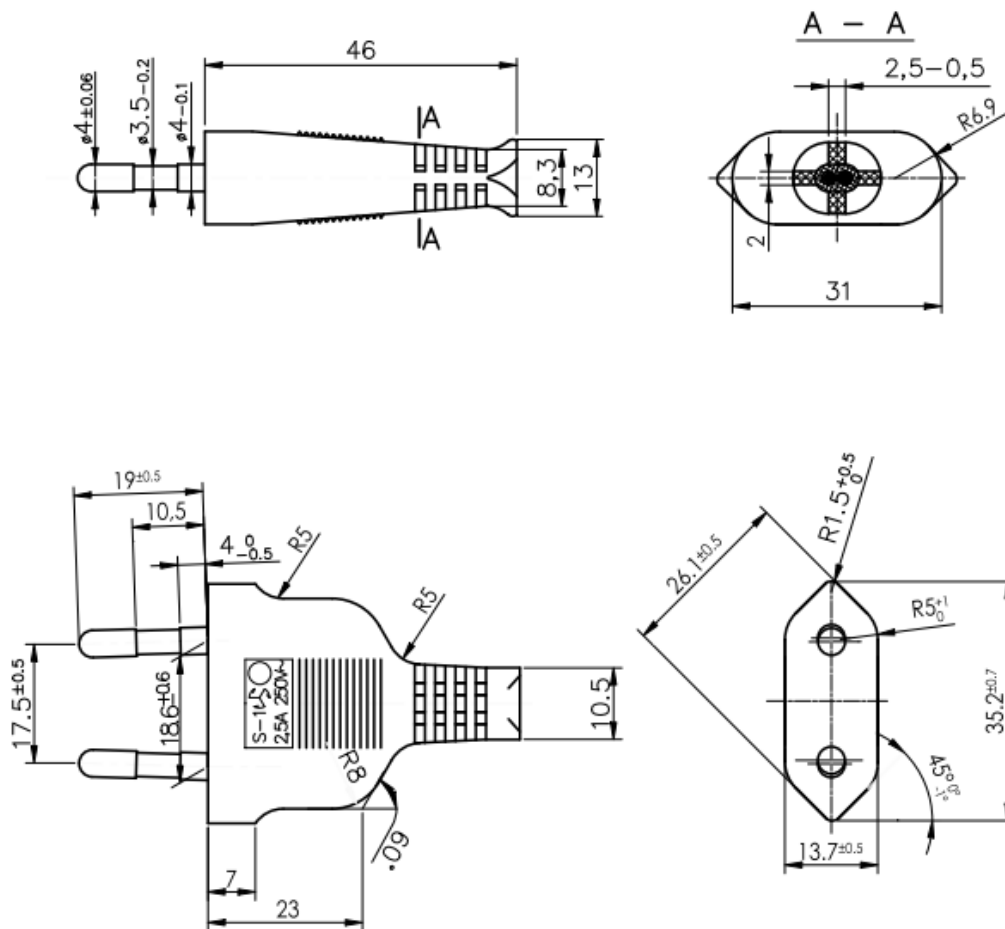
- Non-removable flat plug (catalogue designation **S-1** according to BIRSIN, **CEE 7/16 version 2 according to IECCE**), for Class II devices, pressed on the cable (see table below).
- At the free end, we can produce one of the bend protectors according to the customer's requirements (see **bend protectors**).
- The cores of the free end of the cable are crimped in accordance with the specifications (see **free end termination**).
- It is possible to mount the switch on a cable (we would then receive the **S-1W 2.5A** cable according to BIRSIN).



RoHS REACH

Plug Type by BSN BIRSIN designation	Plug rating	Cable type	Cable cross-section	Cable length	Colour
S-1	2.5A 250V ~	H03VVH2-F, H03Z1Z1H2-F	2x0.5 mm ²	max 2 m	Standard:  or other to be agreed
		H03VVH2-F, H05VVH2-F, H03Z1Z1H2-F	2x0.75 mm ²	do uzgodnienia	
<i>Other cable types and variants to be agreed</i>					

S-1 Plug



S-3 Plug

Intended use:

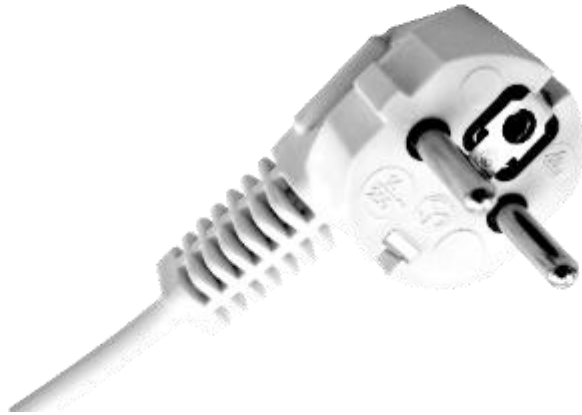



**Technical characteristics – Cable in accordance with:
PN-IEC 60884-1:2006/A1:2009 and PN-E-93201:2021-05**

- Non-removable angled plug (catalogue designation **S-3** according to BIERSIN, **CEE 7/7 according to IEC60884-1**), for Class I devices, with double protective contact arrangement, pressed on the wire (see **table below**).
- Plug type E+F, uni-schuko.
- At the free end, we can produce one of the bend protectors according to the customer's requirements (see **bend protectors**).
- The cores of the free end of the cable are crimped in accordance with the specifications (see **free end termination**).
- It is possible to mount the switch on a cable (we would then receive the **S-3W 2.5A** cable according to BIERSIN).
- The maximum diameter of the cable on which the **S-3** plug can be poured is 10.0 mm

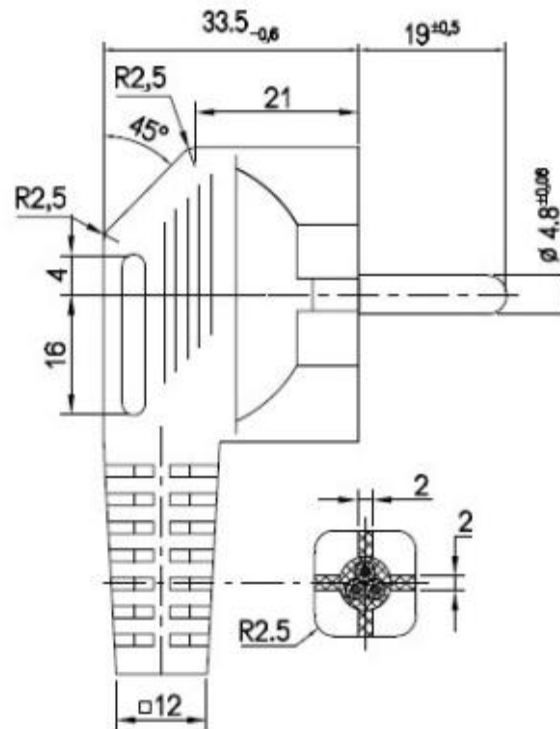
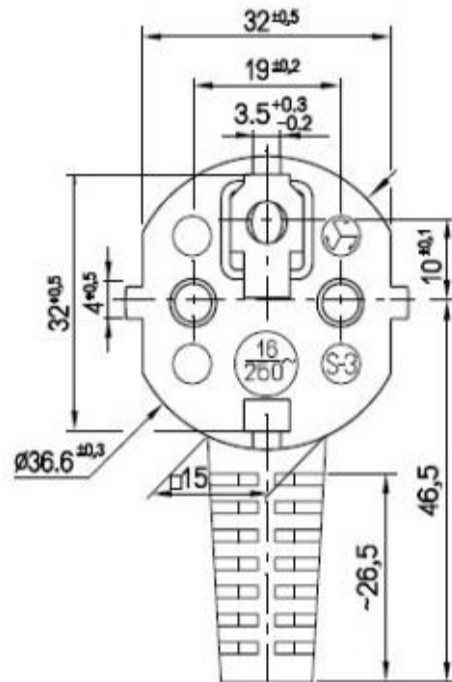


RoHS REACH



Plug Type by BSN BIERSIN designation	Plug rating	Cable type	Cable cross-section	Cable length	Colour
S-3	16A 250V ~	H03VV-F, H03Z1Z1-F	3x0.5 mm ²	max 2 m	Standard:  or other to be agreed
		H03VV-F, H05VV-F, H05RR-F, H05RN-F, H03RT-H, H03Z1Z1-F, H05Z1Z1-F	3x0.75 mm ²	to be agreed	
		H05VV-F, H05RR-F, H05RN-F, H05Z1Z1-F, H07RN-F	3x1 mm ²		
		H05VV-F, H05RR-F, H05Z1Z1-F, H07RN-F	3x1.5 mm ²		
		H05VV-F, H05Z1Z1-F	3x2.5 mm ²		
Other cable types and variants to be agreed					

S-3 Plug



S-4 Plug




Technical characteristics – Cable in accordance with:
PN-IEC 60884-1:2006/A1:2009 and PN-E-93201:2021-05.

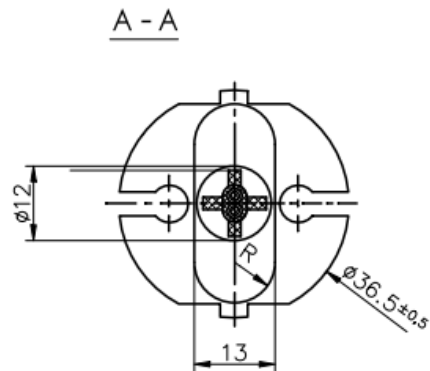
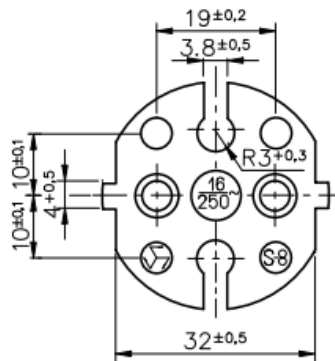
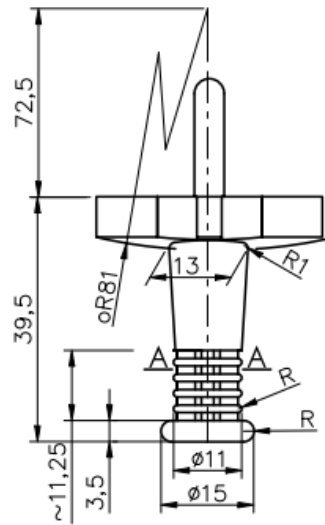
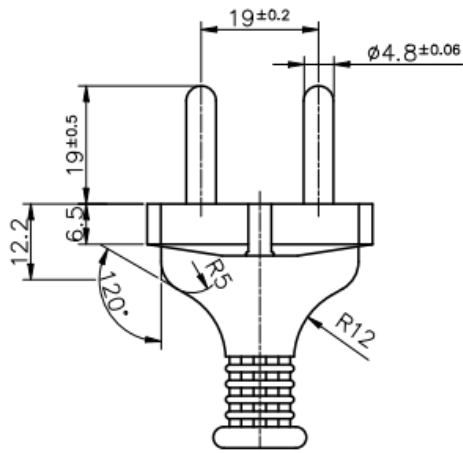
- Non-removable straight plug (catalogue designation **S-4** according to BIRSIN, **CEE 7/17 according to IECCE**), for Class II devices, pressed on the cable (see **table below**).
- At the free end, we can produce one of the bend protectors according to the customer's requirements (see **bend protectors**).
- The cores of the free end of the cable are crimped in accordance with the specifications (see **free end termination**).
- The maximum diameter of the cable on which the **S-4** plug can be poured is 8.5 mm.



RoHS REACH

Plug Type by BSN BIRSIN designation	Plug rating	Cable type	Cable cross-section	Cable length	Colour
S-4	16A 250V ~	H03VV-F,	2x0.5 mm ²	max 2 m	Standard:  or other to be agreed
		H05VV-F, H05VV-F, H05RR-F, H05RN-F,	2x0.75 mm ²	to be agreed	
		H05VV-F, H05RR-F, H05RN-F	2x1 mm ²		
<i>Other cable types and variants to be agreed</i>					

S-4 Plug



S-8 Plug

Intended use:




**Technical characteristics – Cable in accordance with:
PN-IEC 60884-1:2006/A1:2009 and PN-E-93201:2021-05.**

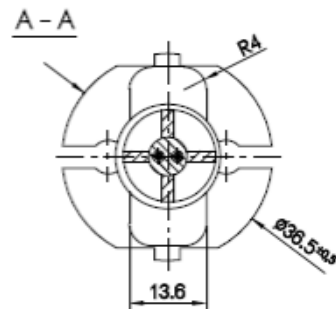
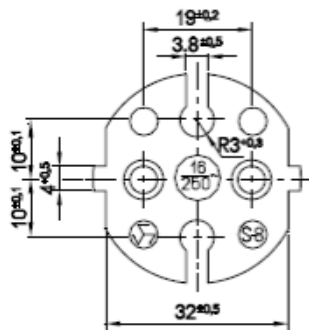
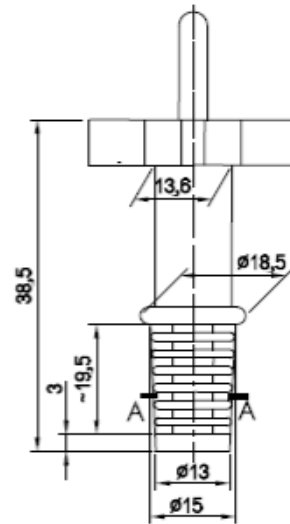
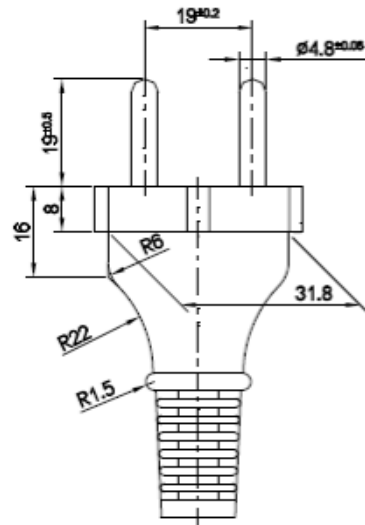
- Non-removable straight plug (catalogue designation **S-8** according to BIRSIN, **CEE 7/17 according to IECEE**), for Class II devices, pressed on the cable (see table below).
- At the free end, we can produce one of the bend protectors according to the customer's requirements (see **bend protectors**).
- The cores of the free end of the cable are crimped in accordance with the specifications (see **free end termination**).
- The maximum diameter of the cable on which the **S-4** plug can be poured is 9.8 mm.



RoHS REACH

Plug Type by BSN BIRSIN designation	Plug rating	Cable type	Cable cross-section	Cable length	Colour
S-8	16A 250V ~	H03VV-F, H05VV-F, H05RR-F, H05RN-F, H03RT-H	2x0.75 mm ²	to be agreed	Standard:  or other to be agreed
		H05VV-F, H05RR-F, H05RN-F, H07RN-F	2x1 mm ²		
		H05VV-F, H05RR-F, H07RN-F	2x1.5 mm ²		
<i>Other cable types and variants to be agreed</i>					

S-8 Plug



S-11 Plug

Intended use:




**Technical characteristics – Cable in accordance with:
PN-IEC 60884-1:2006/A1:2009 and PN-E-93201:2021-05.**

- Non-removable straight plug (catalogue designation **S-11** according to BIRSIN, **CEE 7/7 according to IECCE**), for Class I devices, with double protective contact arrangement, pressed on the wire (see **table below**).
- Plug type E+F, uni-schuko.
- At the free end, we can produce one of the bend protectors according to the customer's requirements (see **bend protectors**).
- The cores of the free end of the cable are crimped in accordance with the specifications (see **free end termination**).
- It is possible to mount the switch on a cable (we would then receive the **S-11W 2.5A** cable according to BIRSIN).
- The maximum diameter of the cable on which the **S-11** plug can be poured is 10.4 mm.

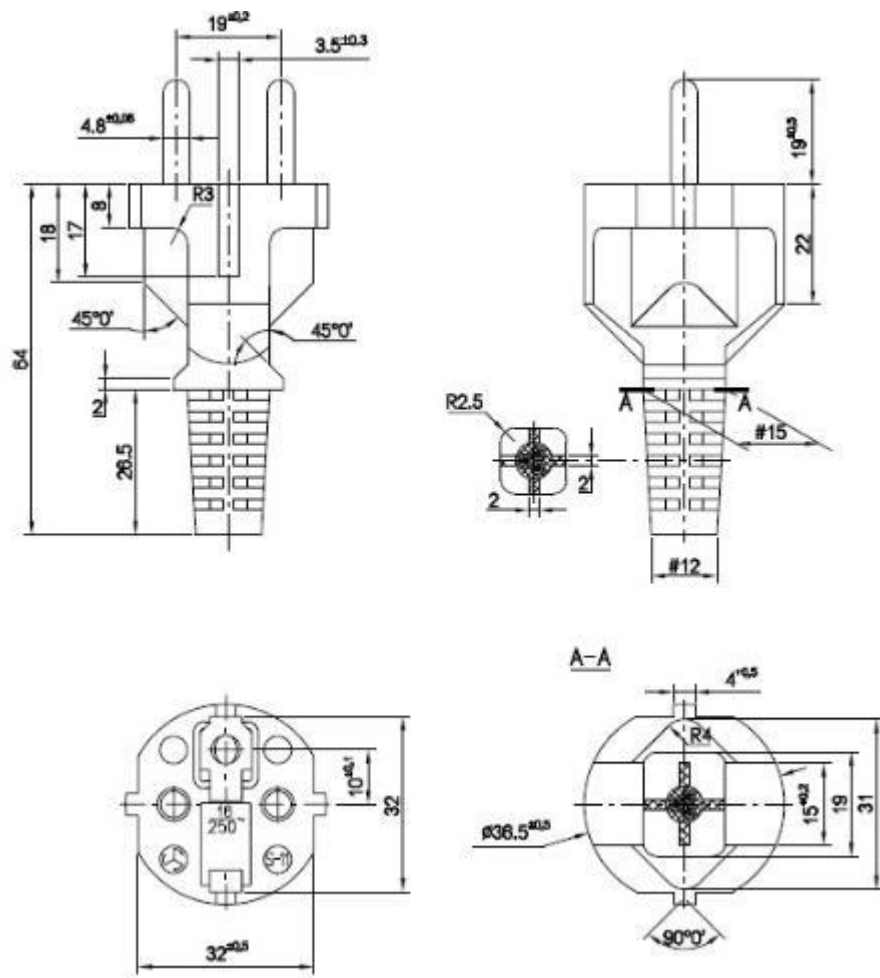


RoHS REACH



Plug Type by BSN BIRSIN designation	Plug rating	Cable type	Cable cross-section	Cable length	Colour
S-11	16A 250V ~	H03VV-F, H03Z1Z1-F	3x0.5 mm ²	max 2 m	Standard:  or other to be agreed
		H03VV-F, H05VV-F, H05RR-F, H05RN-F, H03RT-H, H03Z1Z1-F, H05Z1Z1-F	3x0.75 mm ²	to be agreed	
		H05VV-F, H05RR-F, H05RN-F, H05Z1Z1-F	3x1 mm ²		
		H05VV-F, H05RR-F, H05Z1Z1-F	3x1.5 mm ²		
<i>Other cable types and variants to be agreed</i>					

S-11 Plug



S-13 Plug

Intended use:




Technical characteristics – Cable in accordance with: PN-EN 50075:2001.

- Non-removable flat plug (catalogue designation **S-13** according to BIRSIN, CEE 7/16 version 2 according to IECCE), for Class II devices, pressed on the cable (see table below).
- At the free end, we can produce one of the bend protectors according to the customer's requirements (see **bend protectors**).
- The cores of the free end of the cable are crimped in accordance with the specifications (see **free end termination**).
- It is possible to mount the switch on a cable (we would then receive the **S-13W 2.5A** cable according to BIRSIN).

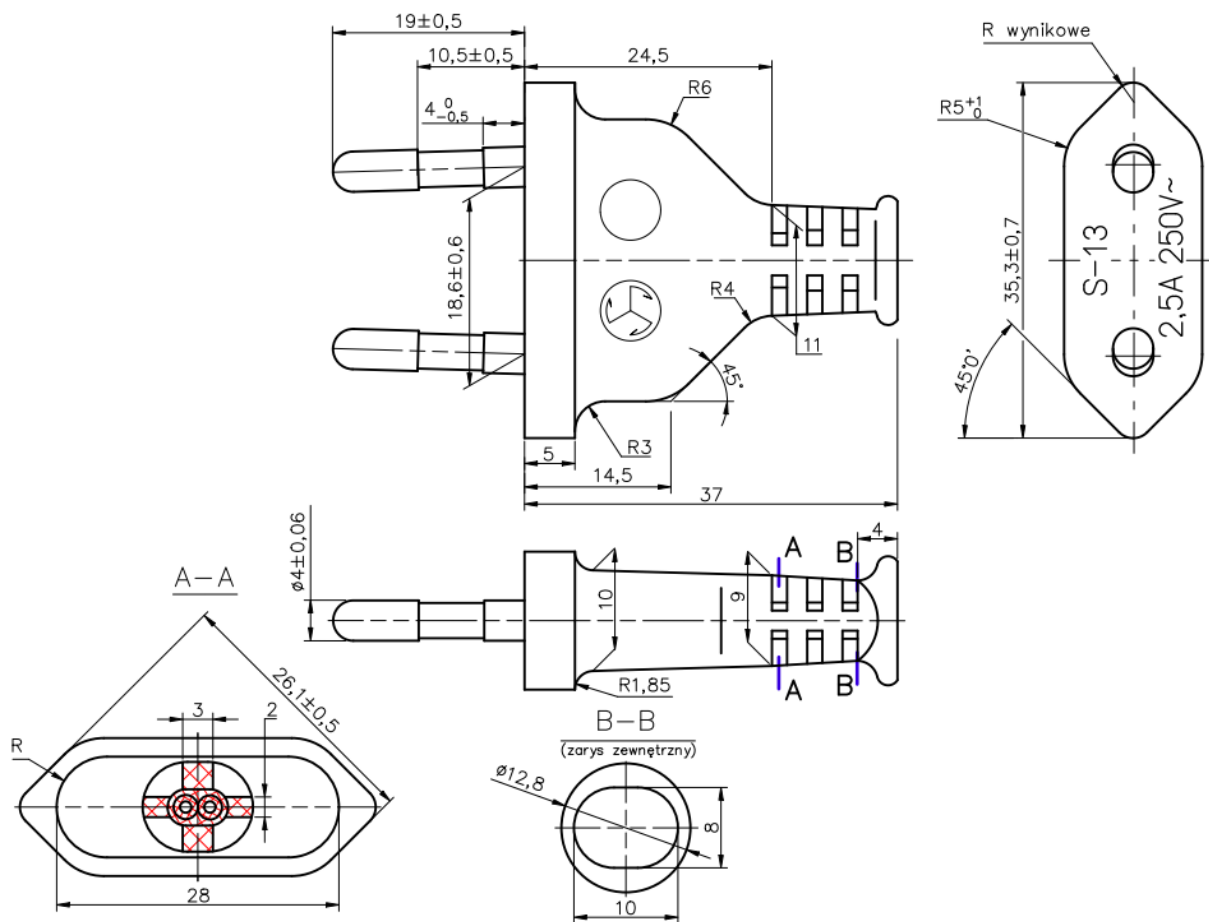


RoHS REACH



Plug Type by BSN BIRSIN designation	Plug rating	Cable type	Cable cross-section	Cable length	Colour
S-13	2.5A 250V ~	H03VVH2-F H03Z1Z1H2-F	2x0.5 mm ²	max 2 m	Standard:  or other to be agreed
		H03VVH2-F H05VVH2-F H03Z1Z1H2-F	2x0.75 mm ²	to be agreed	
<i>Other cable types and variants to be agreed</i>					

S-13 Plug



S-15 Plug

Intended use:

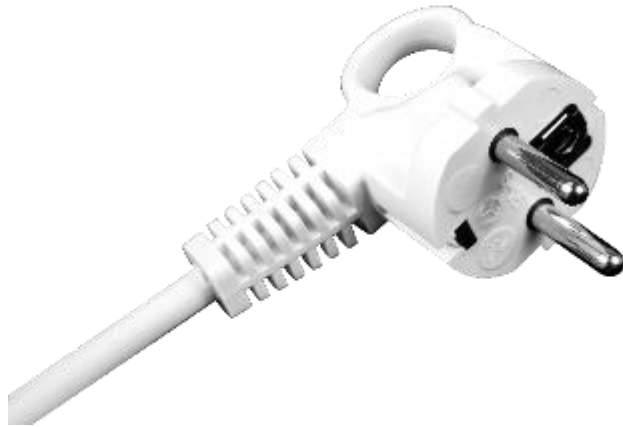



**Technical characteristics – Cable in accordance with:
PN-IEC 60884-1:2006/A1:2009 and PN-E-93201:2021-05.**

- Non-removable angled plug with lug (catalogue designation **S-15** according to BIRSIN, **CEE 7/7 according to IECCEE**), for Class I devices, with double protective contact arrangement, pressed on the wire (see **table below**).
- Plug type E+F, uni-schuko.
- At the free end, we can produce one of the bend protectors according to the customer's requirements (see **bend protectors**).
- The cores of the free end of the cable are crimped in accordance with the specifications (see **free end termination**).
- It is possible to mount the switch on a cable (we would then receive the **S-15W 2.5A** cable according to BIRSIN).
- The maximum diameter of the cable on which the **S-11** plug can be poured is 8.5 mm.

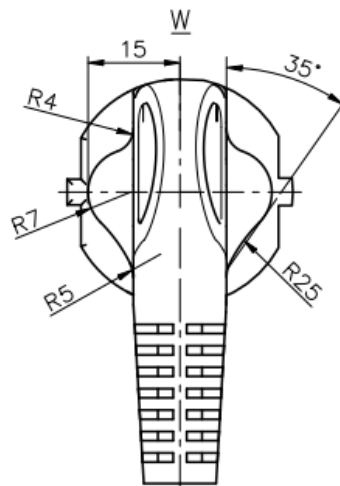
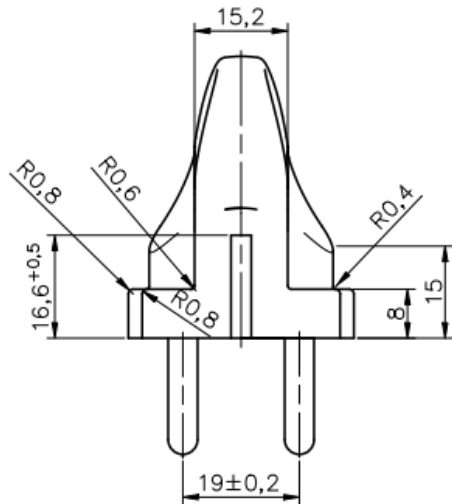
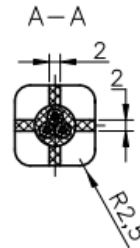
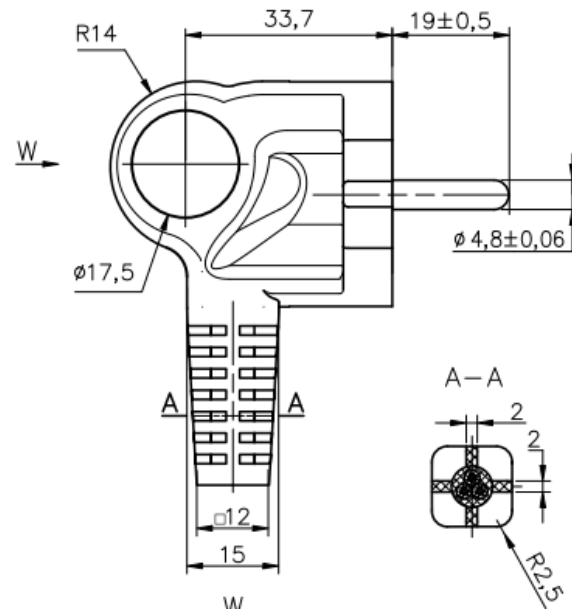
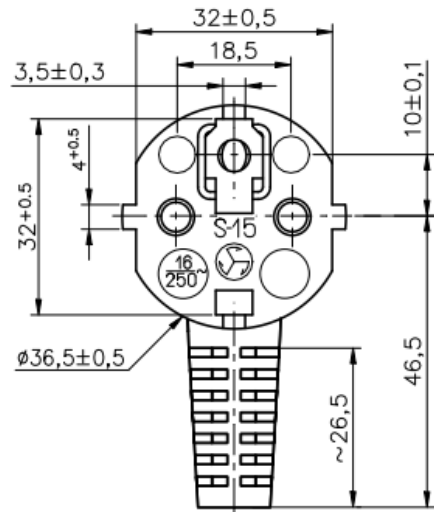


RoHS REACH



Plug Type by BSN BIRSIN designation	Plug rating	Cable type	Cable cross-section	Cable length	Colour
S-15	16A 250V ~	H03VV-F, H03Z1Z1-F	3x0.5 mm ²	max 2 m	Standard:  or other to be agreed
		H03VV-F, H05VV-F, H05RR-F, H05RN-F, H03RT-H, H03Z1Z1-F, H05Z1Z1-F	3x0.75 mm ²	to be agreed	
		H05VV-F, H05RR-F, H05RN-F, H05Z1Z1-F	3x1 mm ²		
<i>Other cable types and variants to be agreed</i>					

S-15 Plug



Connectors and Plugs

Sockets and plugs moulded over the cable
for class I and II devices

N-2 Connector

Intended use:




Technical characteristics – Cable in accordance with: PN-EN 60320-1:2015-11.

- Two-pole straight connector with protective contact (catalogue designation **N-2** according to BIER SIN, **C13 according to IEC 60320**), for Class I devices, pressed onto the cable (see table below).
- At the free end, we can produce one of the bend protectors according to the customer's requirements (see **bend protectors**).
- The cores of the free end of the cable are crimped in accordance with the specifications (see **free end termination**).
- The maximum diameter of the cable on which the N-2 connector can be poured is 7.2 mm.

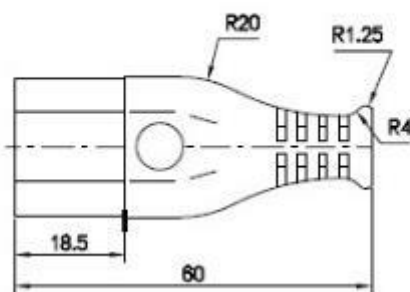


RoHS REACH

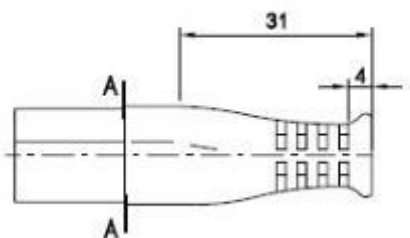
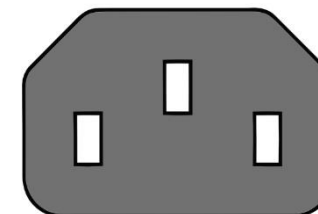
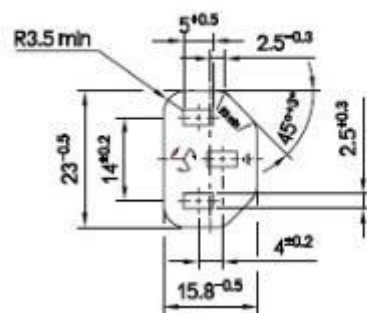


Type of connector by BSN BIER SIN designation	Connector ratings	Cable type	Cable cross-section	Cable length	Colour
N-2	10A 250V ~	OMYżo, H03VV-F, OWYżo, H05VV-F, H03Z1Z1-F, H05Z1Z1-F	3x0.75 mm ²	max 2 m	Standard:  or other to be agreed
			3x1 mm ²	to be agreed	
		OMYżo, H05VV-F	3x1.5 mm ²		
<i>Other cable types and variants to be agreed</i>					

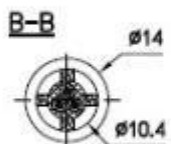
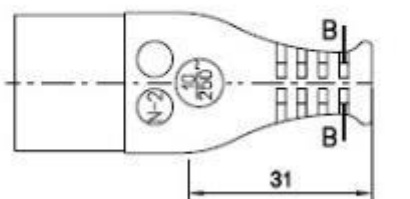
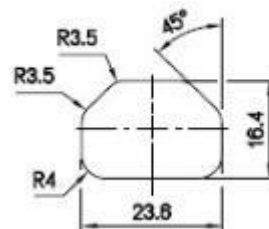
N-2 Connector



(tylko czolo nasadki)



A-A
(tylko kontur nasadki)



N-3 Connector

Intended use:




Technical characteristics – Cable in accordance with: PN-EN 60320-1:2015-11.

- Two-pole straight connector with protective contact (catalogue designation **N-3** according to BIER SIN, **C5 according to IEC 60320**), for Class II devices, pressed onto the cable (see table below).
- At the free end, we can produce one of the bend protectors according to the customer's requirements (see **bend protectors**).
- The cores of the free end of the cable are crimped in accordance with the specifications (see **free end termination**).
- The maximum diameter of the cable on which the **N-3** connector can be poured is 8.0 mm.

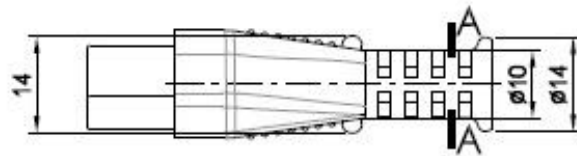
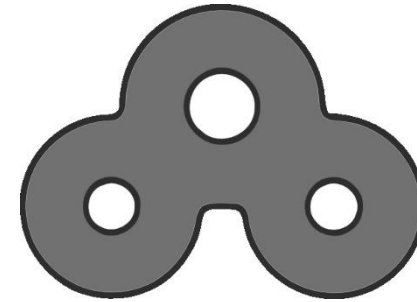
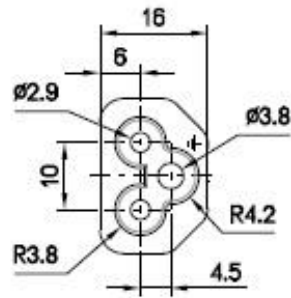
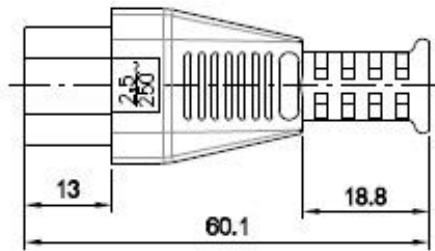


RoHS REACH

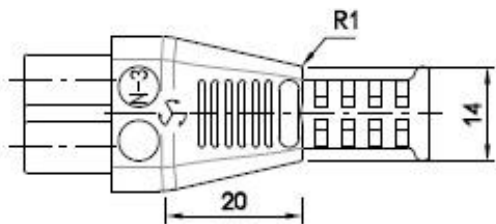
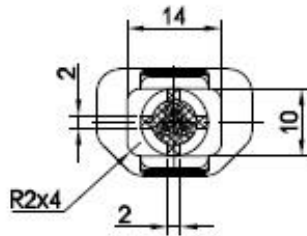


Type of connector by BSN BIER SIN designation	Connector ratings	Cable type	Cable cross-section	Cable length	Colour
N-3	2.5A 250V ~	OMYżo, H03VV-F, OWYżo, H05VV-F, H03Z1Z1-F, H05Z1Z1-F	3x0.75 mm ²	max 2 m	Standard:  or other to be agreed
			3x1 mm ²	to be agreed	
<i>Other cable types and variants to be agreed</i>					

N-3 Connector



A-A



N-4 Connector



Intended use:




Technical characteristics – Cable in accordance with: PN-EN 60320-1:2015-11

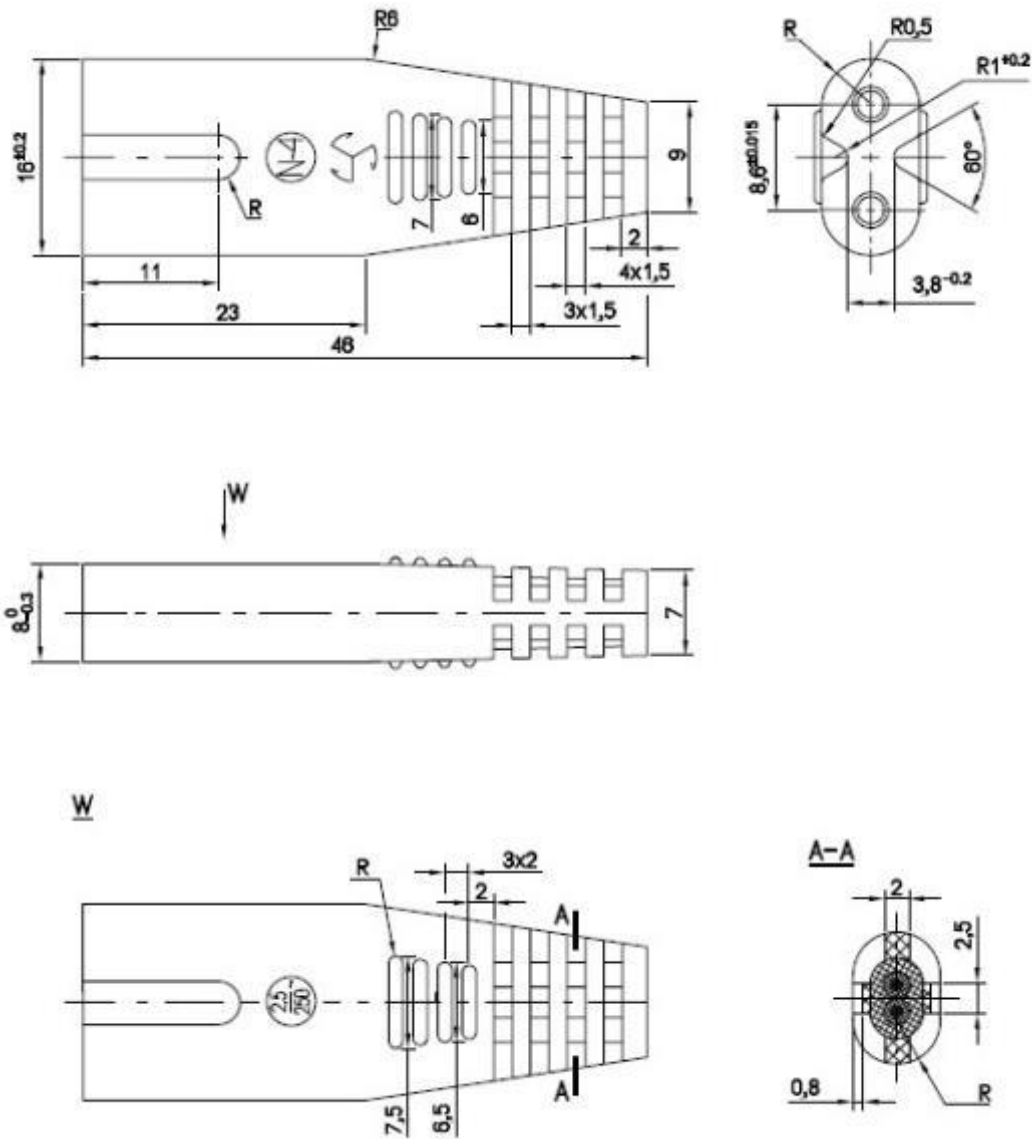
- Two-pole straight socket (catalogue designation **N-4** according to BIRSIN, **C7** according to **IEC 60320**), for Class II devices, pressed onto the cable (see **table below**).
- At the free end, we can produce one of the bend protectors according to the customer's requirements (see **bend protectors**).
- The cores of the free end of the cable are crimped in accordance with the specifications (see **free end termination**).



RoHS REACH

Type of connector by BSN BIRSIN designation	Connector ratings	Cable type	Cable cross-section	Cable length	Colour
N-4	2.5A 250V ~	H03VVH2-F, H05VVH2-F	2x0.5 mm ²	max 2 m	Standard:  or other to be agreed
			2x0.75 mm ²	to be agreed	
<i>Other cable types and variants to be agreed</i>					

N-4 Connector



N-7 Connector



Intended use:




Technical characteristics – Cable in accordance with: PN-EN 60320-1:2015-11

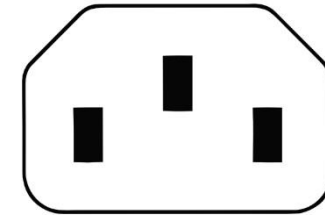
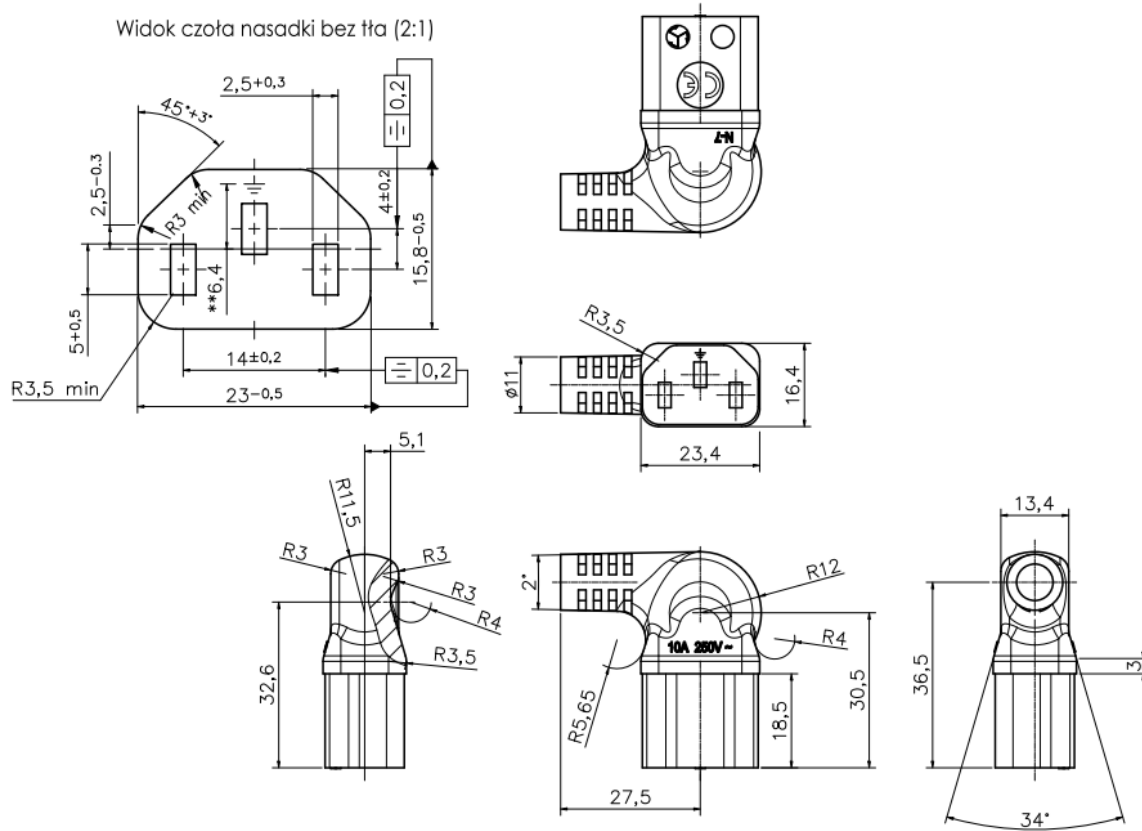
- Two-pole angular socket with protective contact (catalogue designation **N-7** according to BIRSIN, **C13 according to IEC 60320**), for Class I devices, pressed onto the cable (see **table below**).
- At the free end, we can produce one of the bend protectors according to the customer's requirements (see **bend protectors**).
- The cores of the free end of the cable are crimped in accordance with the specifications (see **free end termination**).
- The maximum diameter of the cable on which the **N-7** connector can be poured is 8.5 mm.



RoHS REACH

Type of connector by BSN BIRSIN designation	Connector ratings	Cable type	Cable cross-section	Cable length	Colour
N-7	10A 250V ~	OMYżo, H03VV-F, OWYżo, H05VV-F, H03Z1Z1-F, H05Z1Z1-F	3x0.75 mm ²	max 2 m	Standard:  or other to be agreed
			3x1 mm ²	to be agreed	
		OMYżo, H05VV-F	3x1.5 mm ²		
<i>Other cable types and variants to be agreed</i>					

N-7 Connector



N-10 Connector



Intended use:




Technical characteristics – Cable in accordance with: PN-EN 60320-1:2015-11

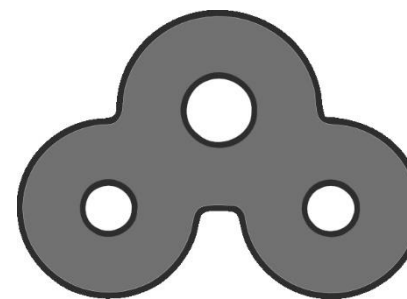
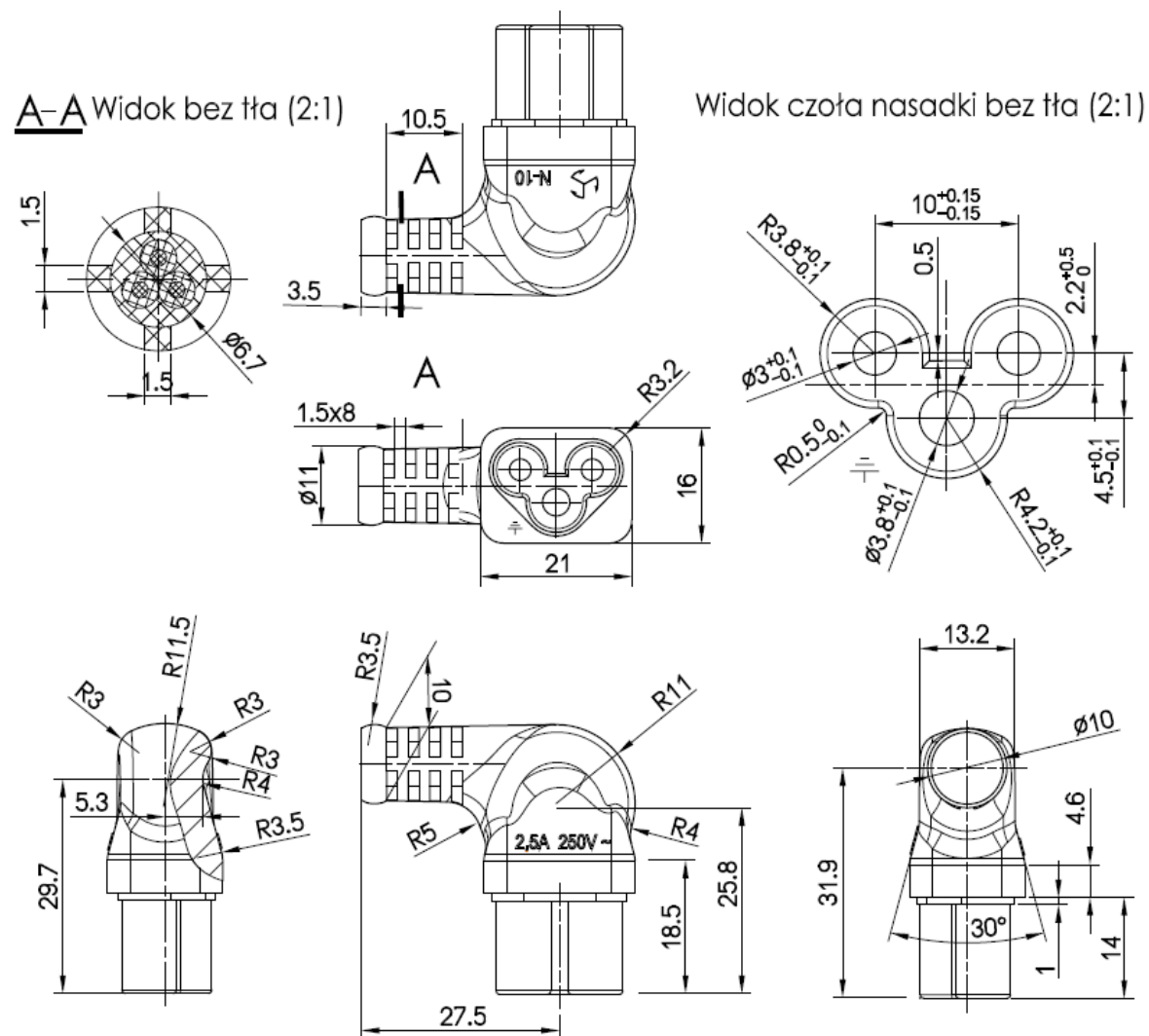
- Two-pole angular socket with protective contact (catalogue designation **N-10** according to BIER SIN, **C5 according to IEC 60320**), for Class II devices, pressed onto the cable (see table below).
- At the free end, we can produce one of the bend protectors according to the customer's requirements (see **bend protectors**).
- The cores of the free end of the cable are crimped in accordance with the specifications (see **free end termination**).
- The maximum diameter of the cable on which the **N-10** connector can be poured is 8.0 mm.



RoHS REACH

Type of connector by BSN BIER SIN designation	Connector ratings	Cable type	Cable cross-section	Cable length	Colour
N-10	2.5A 250V ~	OMYżo, H03VV-F, OWYżo, H05VV-F, H03Z1Z1-F, H05Z1Z1-F	3x0.75 mm ²	max 2 m	Standard:  or other to be agreed
			3x1 mm ²	to be agreed	
<i>Other cable types and variants to be agreed</i>					

N-10 Connector



W-1 Plug



Intended use:




Technical characteristics – Cable in accordance with: PN-EN 60320-1:2015-11

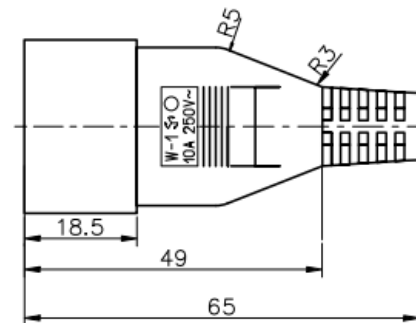
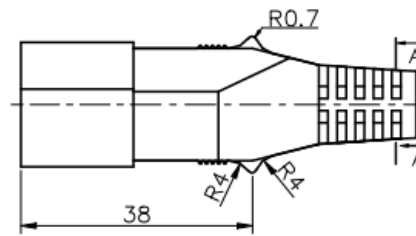
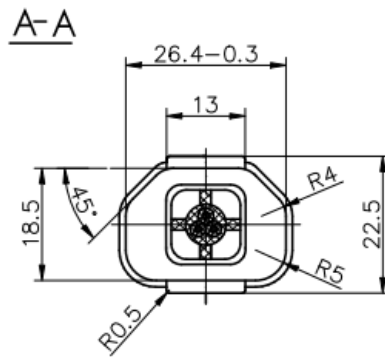
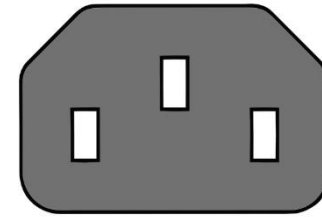
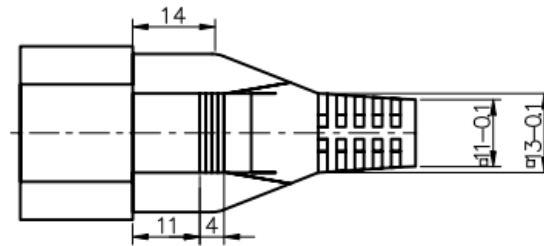
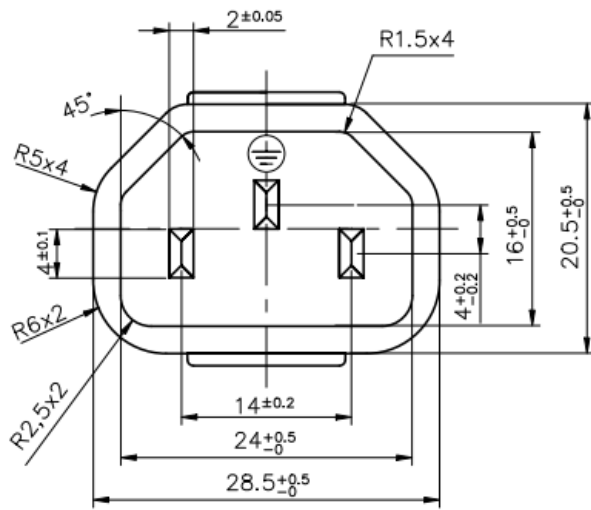
- Two-pole straight plug with earthing contact (catalogue designation **W-1** according to BIER SIN, **C14 according to IEC 60320**), for Class I equipment, pressed onto the cable (see table below).
- At the free end, we can produce one of the bend protectors according to the customer's requirements (see **bend protectors**).
- The cores of the free end of the cable are crimped in accordance with the specifications (see **free end termination**).
- The maximum diameter of the cable on which the **W-1** plug can be poured is 7.2 mm.



RoHS REACH

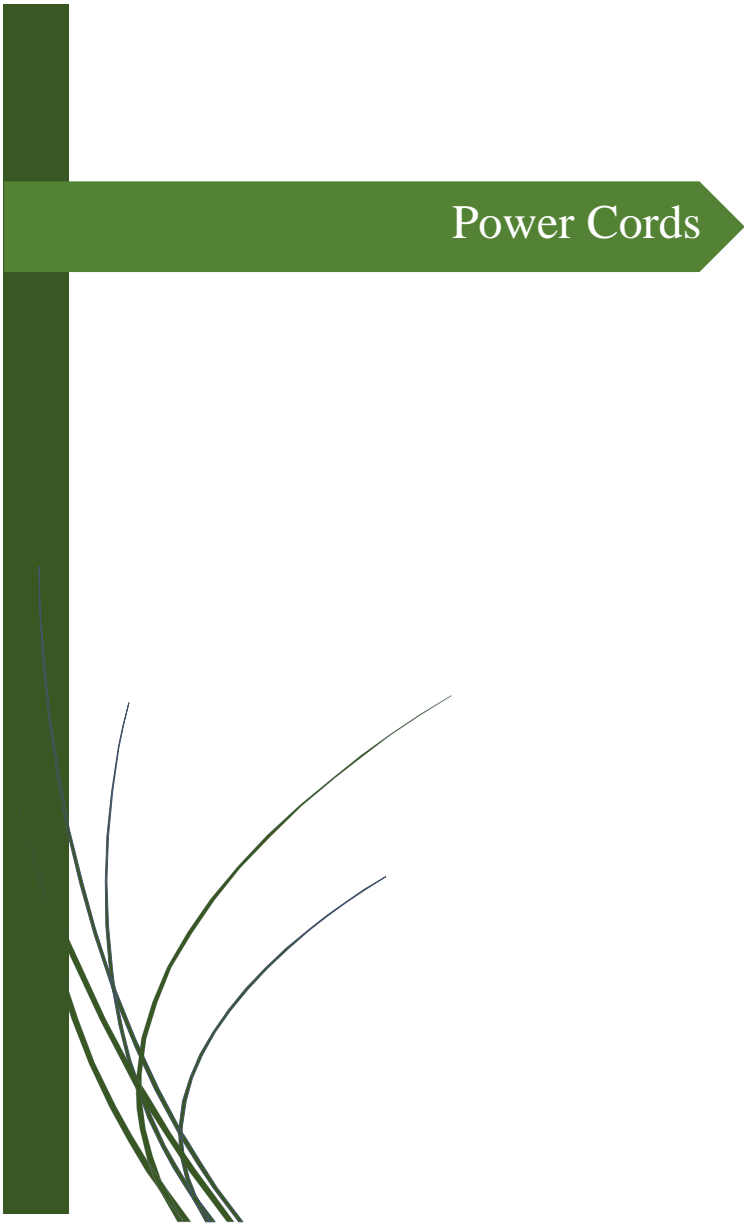
Plug type by BSN BIER SIN designation	Plug rating	Cable type	Cable cross-section	Cable length	Colour
W-1	10A 250V ~	OMYżo, H03VV-F, OWYżo, H05VV-F, H03Z1Z1-F, H05Z1Z1-F	3x0.75 mm ²	max 2 m	Standard:  or other to be agreed
			3x1 mm ²	to be agreed	
		OMYżo, H05VV-F	3x1.5 mm ²		
<i>Other cable types and variants to be agreed</i>					

W-1 Plug



Power Cords

Inseparable cables pressed on the wire for
class I and II devices



SN-14 Power Cord

Intended use:



Technical characteristics

Cable in accordance with:


- PN-EN 50075:2001
- PN-EN 60320-1:2015-11

- Power Cord (catalogue designation **SN-14** according to BIRSIN), for Class II devices, comprising a **S-1** non-removable flat plug (**CEE 7/16 version 2 according to IECCE**) and a **N-4** two-pole straight connector (**C7 according to IEC 60320**), pressed onto the cable (see table below).



RoHS REACH



Cable type by BSN BIRSIN designation	Cable ratings	Cable type	Cable cross-section	Cable length	Colour
SN-14	2.5A 250V ~	H03VVH2-F	2x0.5 mm ²	max 2 m	Standard:  or other to be agreed
		H03VVH2-F H05VVH2-F	2x0.75 mm ²	max 5 m	
<i>Other cable types and variants to be agreed</i>					

SN-32 Power Cord



Intended use:



Technical characteristics


Cable in accordance with:

- PN-IEC 60884-1:2006/A1:2009
- PN-E-93201:2021-05
- PN-EN 60320-1:2015-11

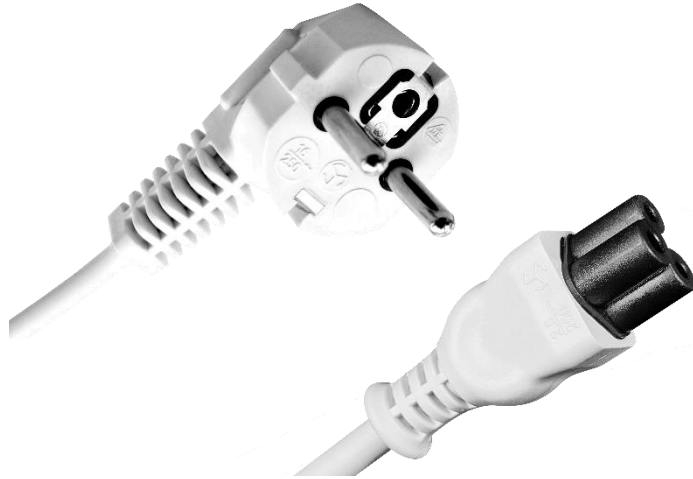
- Power Cord (catalogue designation **SN-32** according to BIRSIN), for Class I devices, comprising a **S-3** non-removable angled plug (**CEE 7/7 according to IEC 60320**) and a **N-2** two-pole straight connector **with protective contact (C13 according to IEC 60320)**, pressed onto the cable (see table below).



RoHS REACH

Cable type by BSN BIRSIN designation	Cable ratings	Cable type	Cable cross-section	Cable length	Colour
SN-32	10A 250V ~	OMYżo, H03VV-F, OWYżo, H05VV-F, H03Z1Z1-F, H05Z1Z1-F	3x0.75 mm ²	max 2 m	Standard:  or other to be agreed
			3x1 mm ²	to be agreed	
		OMYżo, H05VV-F	3x1.5 mm ²		
<i>Other cable types and variants to be agreed</i>					

SN-33 Power Cord



Intended use:



Technical characteristics


Cable in accordance with:

- PN-IEC 60884-1:2006/A1:2009
- PN-E-93201:2021-05
- PN-EN 60320-1:2015-11

- Power Cord (catalogue designation **SN-33** according to BIRSIN), for Class I devices, comprising a **S-3** non-removable angled plug (**CEE 7/7 according to IEC 60884-1**) and a **N-3** two-pole straight connector **with protective contact (C5 according to IEC 60320)**, pressed onto the cable (**see table below**).



RoHS REACH

Cable type by BSN BIRSIN designation	Cable ratings	Cable type	Cable cross-section	Cable length	Colour
SN-33	2.5A 250V ~	OMYżo, H03VV-F, OWYżo, H05VV-F, H03Z1Z1-F, H05Z1Z1-F	3x0.75 mm ²	max 2 m	Standard:  or other to be agreed
		OMYżo, OWYżo, H05VV-F, H03Z1Z1-F, H05Z1Z1-F	3x1 mm ²	to be agreed	
<i>Other cable types and variants to be agreed</i>					

SN-37 Power Cord

Intended use:



Technical characteristics


Cable in accordance with:

- PN-IEC 60884-1:2006/A1:2009
- PN-E-93201:2021-05
- PN-EN 60320-1:2015-11

- Power Cord (catalogue designation **SN-37** according to BIRSIN), for Class I devices, comprising a **S-3** non-removable angled plug (**CEE 7/7 according to IEC 60320**) and a **N-7** two-pole angled connector with **protective contact (C13 according to IEC 60320)**, pressed onto the cable (see table below).



RoHS REACH

Cable type by BSN BIRSIN designation	Cable ratings	Cable type	Cable cross-section	Cable length	Colour
SN-37	10A 250V ~	OMYżo, H03VV-F, OWYżo, H05VV-F, H03Z1Z1-F, H05Z1Z1-F	3x0.75 mm ²	max 2 m	Standard:  or other to be agreed
		OMYżo, OWYżo, H05VV-F, H03Z1Z1-F, H05Z1Z1-F	3x1 mm ²	to be agreed	
			3x1.5 mm ²		
<i>Other cable types and variants to be agreed</i>					

SN-39 Power Cord



Intended use:



Technical characteristics

Cable in accordance with:

- PN-IEC 60884-1:2006/A1:2009
- PN-E-93201:2021-5
- PN-EN IEC 60799:2021-7

- Power Cord (catalogue designation **SN-39** according to BIRSIN), for Class I devices, comprising a **S-3** non-removable angled plug (**CEE 7/7 according to IEC60884-1**) and a mounted straight heating cap **N-9** made on the cable (**see table below**).



RoHS REACH

Cable type by BSN BIRSIN designation	Cable ratings	Cable type	Cable cross-section	Cable length	Colour
SN-39	16A 250V ~	H03RT-H H05RR-F	3x0.75 mm ²	max 2 m	To be agreed
		H05VV-F H05RR-F	3x1 mm ²	to be agreed	

SN-112 Power Cord



Intended use:



Technical characteristics


Cable in accordance with:

- PN-IEC 60884-1:2006/A1:2009
- PN-E-93201:2021-05
- PN-EN 60320-1:2015-11

- Power Cord (catalogue designation **SN-112** according to BIRSIN), for Class I devices, comprising a **S-11** non-removable straight plug (**CEE 7/7 according to IEC 60884-1**) and a **N-2** two-pole straight connector **with protective contact (C13 according to IEC 60320)**, pressed onto the cable (see table below).



RoHS REACH

Cable type by BSN BIRSIN designation	Cable ratings	Cable type	Cable cross-section	Cable length	Colour
SN-112	10A 250V ~	OMYżo, H03VV-F, OWYżo, H05VV-F, H03Z1Z1-F, H05Z1Z1-F	3x0.75 mm ²	max 2 m	Standard:  or other to be agreed
		H05VV-F, H05RR-F, H05RN-F, H05Z1Z1-F	3x1 mm ²	to be agreed	
		H05VV-F, H05RR-F, H05Z1Z1-F	3x1.5 mm ²		
<i>Other cable types and variants to be agreed</i>					

SN-113 Power Cord

Intended use:



Technical characteristics


Cable in accordance with:

- PN-IEC 60884-1:2006/A1:2009
- PN-E-93201:2021-05
- PN-EN 60320-1:2015-11

- Power Cord (catalogue designation **SN-113** according to BIER SIN), for Class I devices, comprising a **S-11** non-removable straight plug (**CEE 7/7 according to IECCEE**) and a **N-3** two-pole straight connector **with protective contact (C5 according to IEC 60320)**, pressed onto the cable (**see table below**).



RoHS REACH

Cable type by BSN BIER SIN designation	Cable ratings	Cable type	Cable cross-section	Cable length	Colour
SN-113	2.5A 250V ~	OMYżo, H03VV-F, OWYżo, H05VV-F, H03Z1Z1-F, H05Z1Z1-F	3x0.75 mm ²	max 2 m	Standard:  or other to be agreed
		OMYżo, OWYżo, H05VV-F, H03Z1Z1-F, H05Z1Z1-F	3x1 mm ²	to be agreed	
<i>Other cable types and variants to be agreed</i>					

SN-117 Power Cord



Intended use:



Technical characteristics


Cable in accordance with:

- PN-IEC 60884-1:2006/A1:2009
- PN-E-93201:2021-05
- PN-EN 60320-1:2015-11

- Power Cord (catalogue designation **SN-117** according to BIER SIN), for Class I devices, comprising a **S-11** non-removable straight plug (**CEE 7/7 according to IECCE**) and a **N-7** two-pole angled connector with **protective contact (C13 according to IEC 60320)**, pressed onto the cable (**see table below**).



RoHS REACH

Cable type by BSN BIER SIN designation	Cable ratings	Cable type	Cable cross-section	Cable length	Colour
SN-117	10A 250V ~	OMYżo, H03VV-F, OWYżo, H05VV-F, H03Z1Z1-F, H05Z1Z1-F	3x0.75 mm ²	max 2 m	Standard:  or other to be agreed
		OMYżo, OWYżo, H05VV-F, H03Z1Z1-F, H05Z1Z1-F	3x1 mm ² 3x1.5 mm ²	to be agreed	
Other cable types and variants to be agreed					

SN-134 Power Cord

Intended use:



Technical characteristics

Cable in accordance with:


- PN-EN 50075:2001
- PN-EN 60320-1:2015-11

- Power Cord (catalogue designation **SN-134** according to BIER SIN), for Class II devices, comprising a **S-13** non-removable flat plug (**CEE 7/16 version 2 according to IEC EE**) and a **N-4** two-pole straight connector (**C7 according to IEC 60320**), pressed onto the cable (see table below).



RoHS REACH



Cable type by BSN BIER SIN designation	Cable ratings	Cable type	Cable cross-section	Cable length	Colour
SN-134	2.5A 250V ~	H03VVH2-F	2x0.5 mm ²	max 2 m	Standard:  or other to be agreed
		H03VVH2-F H05VVH2-F	2x0.75 mm ²	max 5 m	
<i>Other cable types and variants to be agreed</i>					

SN-152 Power Cord



Intended use:



Technical characteristics


Cable in accordance with:

- PN-IEC 60884-1:2006/A1:2009
- PN-E-93201:2021-05
- PN-EN 60320-1:2015-11

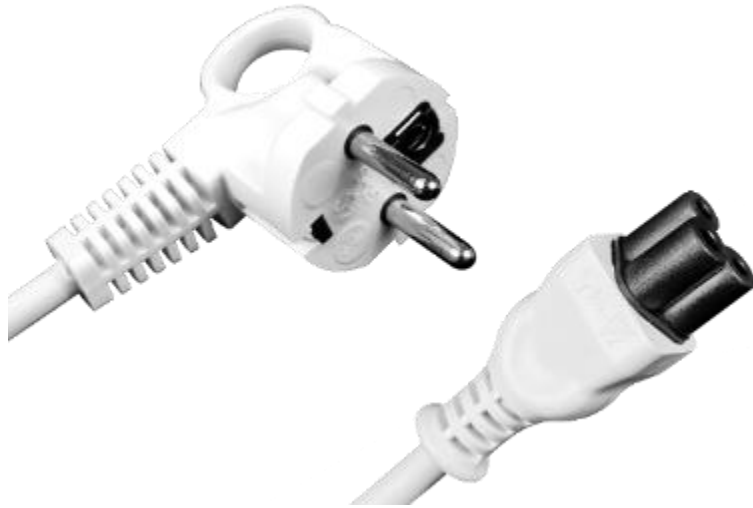
- Power Cord (catalogue designation **SN-152** according to BIRSIN), for Class I devices, comprising a **S-15** non-removable angled plug with lug (**CEE 7/7 according to IECCE**) and a **N-2** two-pole straight connector **with protective contact (C13 according to IEC 60320)**, pressed onto the cable (see table below).



RoHS REACH

Cable type by BSN BIRSIN designation	Cable ratings	Cable type	Cable cross-section	Cable length	Colour
SN-152	10A 250V ~	OMYżo, H03VV-F, OWYżo, H05VV-F, H03Z1Z1-F, H05Z1Z1-F	3x0.75 mm ²	max 2 m	Standard:  or other to be agreed
			3x1 mm ²	to be agreed	
<i>Other cable types and variants to be agreed</i>					

SN-153 Power Cord



Intended use:



Technical characteristics


Cable in accordance with:

- PN-IEC 60884-1:2006/A1:2009
- PN-E-93201:2021-05
- PN-EN 60320-1:2015-11

- Power Cord (catalogue designation **SN-153** according to BIER SIN), for Class I devices, comprising a **S-15** non-removable angled plug with lug (**CEE 7/7 according to IEC EE**) and a **N-3** two-pole straight connector **with protective contact (C5 according to IEC 60320)**, pressed onto the cable (**see table below**).



RoHS REACH

Cable type by BSN BIER SIN designation	Cable ratings	Cable type	Cable cross-section	Cable length	Colour
SN-153	2.5A 250V ~	OMYżo, H03VV-F, OWYżo, H05VV-F, H03Z1Z1-F, H05Z1Z1-F	3x0.75 mm ²	max 2 m	Standard:  or other to be agreed
		OMYżo, OWYżo, H05VV-F, H03Z1Z1-F, H05Z1Z1-F	3x1 mm ²	to be agreed	
<i>Other cable types and variants to be agreed</i>					

SN-157 Power Cord



Intended use:



Technical characteristics


Cable in accordance with:

- PN-IEC 60884-1:2006/A1:2009
- PN-E-93201:2021-05
- PN-EN 60320-1:2015-11

- Power Cord (catalogue designation **SN-157** according to BIER SIN), for Class I devices, comprising a **S-15** non-removable angled plug with lug (**CEE 7/7 according to IEC EE**) and a **N-7** two-pole angled connector with **protective contact (C13 according to IEC 60320)**, pressed onto the cable (**see table below**).



RoHS REACH

Cable type by BSN BIER SIN designation	Cable ratings	Cable type	Cable cross-section	Cable length	Colour
SN-157	10A 250V ~	OMYżo, H03VV-F, OWYżo, H05VV-F, H03Z1Z1-F, H05Z1Z1-F	3x0.75 mm ²	max 2 m	Standard:  or other to be agreed
		OMYżo, OWYżo, H05VV-F, H03Z1Z1-F, H05Z1Z1-F	3x1 mm ²	to be agreed	
<i>Other cable types and variants to be agreed</i>					

SN-159 Power Cord

Intended use:



Technical characteristics

Cable in accordance with:

- PN-IEC 60884-1:2006/A1:2009
- PN-E-93201:2021-5
- PN-EN IEC 60799:2021-7

- Power Cord (catalogue designation **SN-159** according to BIRSIN), for Class I devices, comprising a **S-15** non-removable angled plug with lug (**CEE 7/7 according to IEC60884-1**) and a mounted straight heating cap **N-9** made on the cable (**see table below**).



RoHS REACH

Cable type by BSN BIRSIN designation	Cable ratings	Cable type	Cable cross-section	Cable length	Colour
SN-159	16A 250V ~	H03RT-H H05RR-F	3x0.75 mm ²	max 2 m	To be agreed
		H05VV-F H05RR-F	3x1 mm ²	to be agreed	

SN-310 Power Cord



Intended use:



Technical characteristics


Cable in accordance with:

- PN-IEC 60884-1:2006/A1:2009
- PN-E-93201:2021-05
- PN-EN 60320-1:2015-11

- Power Cord (catalogue designation **SN-310** according to BIER SIN), for Class I devices, comprising a **S-3** non-removable angled plug (**CEE 7/7 according to IEC EE**) and a **N-10** two-pole angled connector with **protective contact (C5 according to IEC 60320)**, pressed onto the cable (**see table below**).



RoHS REACH

Cable type by BSN BIER SIN designation	Cable ratings	Cable type	Cable cross-section	Cable length	Colour
SN-310	2.5A 250V ~	OMYżo, H03VV-F, OWYżo, H05VV-F, H03Z1Z1-F, H05Z1Z1-F	3x0.75 mm ²	max 2 m	Standard:  or other to be agreed
		OMYżo, OWYżo, H05VV-F, H03Z1Z1-F, H05Z1Z1-F	3x1 mm ²	to be agreed	
<i>Other cable types and variants to be agreed</i>					

SN-1110 Power Cord



Intended use:



Technical characteristics


Cable in accordance with:

- PN-IEC 60884-1:2006/A1:2009
- PN-E-93201:2021-05
- PN-EN 60320-1:2015-11

- Power Cord (catalogue designation **SN-1110** according to BIRSIN), for Class I devices, comprising a **S-11** non-removable straight plug (**CEE 7/7 according to IECCEE**) and a **N-10** two-pole angled connector with **protective contact (C5 according to IEC 60320)**, pressed onto the cable (**see table below**).



RoHS REACH

Cable type by BSN BIRSIN designation	Cable ratings	Cable type	Cable cross-section	Cable length	Colour
SN-1110	2.5A 250V ~	OMYżo, H03VV-F, OWYżo, H05VV-F, H03Z1Z1-F, H05Z1Z1-F	3x0.75 mm ²	max 2 m	Standard:  or other to be agreed
		OMYżo, OWYżo, H05VV-F, H03Z1Z1-F, H05Z1Z1-F	3x1 mm ²	to be agreed	
<i>Other cable types and variants to be agreed</i>					

SN-1510 Power Cord



Intended use:



Technical characteristics


Cable in accordance with:

- PN-IEC 60884-1:2006/A1:2009
- PN-E-93201:2021-05
- PN-EN 60320-1:2015-11

- Power Cord (catalogue designation **SN-1510** according to BIRSIN), for Class I devices, comprising a **S-15** non-removable angled plug with lug (**CEE 7/7 according to IEC 60884-1**) and a **N-10** two-pole angled connector with **protective contact (C5 according to IEC 60320)**, pressed onto the cable (**see table below**).



RoHS REACH

Cable type by BSN BIRSIN designation	Cable ratings	Cable type	Cable cross-section	Cable length	Colour
SN-1510	2.5A 250V ~	OMYżo, H03VV-F, OWYżo, H05VV-F, H03Z1Z1-F, H05Z1Z1-F	3x0.75 mm ²	max 2 m	Standard:  or other to be agreed
		OMYżo, OWYżo, H05VV-F, H03Z1Z1-F, H05Z1Z1-F	3x1 mm ²	to be agreed	
Other cable types and variants to be agreed					

WN-12 Power Cord

Intended use:



Technical characteristics


Cable in accordance with:

- PN-EN 60320-1:2015-11

- Power Cord (catalogue designation **WN-12** according to BIER SIN), for Class I devices, comprising a **W-1** two-pole straight plug with **protective contact (C14 according to IEC 60320)** and a **N-2** two-pole straight connector with **protective contact (C13 according to IEC 60320)**, pressed onto the cable (see table below).



RoHS REACH

Cable type by BSN BIER SIN designation	Cable ratings	Cable type	Cable cross-section	Cable length	Colour
WN-12	10A 250V ~	OMYżo, H03VV-F, OWYżo, H05VV-F, H03Z1Z1-F, H05Z1Z1-F	3x0.75 mm ²	max 2 m	Standard:  or other to be agreed
		OMYżo, OWYżo, H05VV-F, H03Z1Z1-F, H05Z1Z1-F	3x1 mm ² 3x1.5 mm ²	to be agreed	
<i>Other cable types and variants to be agreed</i>					

WN-13 Power Cord

Intended use:



Technical characteristics

Cable in accordance with:


- PN-EN 60320-1:2015-11

- Power Cord (catalogue designation **WN-13** according to BIER SIN), for Class I devices, comprising a **W-1** two-pole straight plug with **protective contact (C14 according to IEC 60320)** and a **N-3** two-pole straight connector with **protective contact (C5 according to IEC 60320)**, pressed onto the cable (see table below).



RoHS REACH



Cable type by BSN BIER SIN designation	Cable ratings	Cable type	Cable cross-section	Cable length	Colour
WN-13	2.5A 250V ~	OMYżo, H03VV-F, OWYżo, H05VV-F, H03Z1Z1-F, H05Z1Z1-F	3x0.75 mm ²	max 2 m	Standard:  or other to be agreed
		OMYżo, OWYżo, H05VV-F, H03Z1Z1-F, H05Z1Z1-F	3x1 mm ²	to be agreed	
<i>Other cable types and variants to be agreed</i>					

WN-17 Power Cord

Intended use:



Technical characteristics

Cable in accordance with:


- PN-EN 60320-1:2015-11

- Power Cord (catalogue designation **WN-17** according to BIER SIN), for Class I devices, comprising a **W-1** two-pole straight plug with **protective contact (C14 according to IEC 60320)** and a **N-7** two-pole angled connector with **protective contact (C13 according to IEC 60320)**, pressed onto the cable (see table below).



RoHS REACH



Cable type by BSN BIER SIN designation	Cable ratings	Cable type	Cable cross-section	Cable length	Colour
WN-17	10A 250V ~	OMYżo, H03VV-F, OWYżo, H05VV-F, H03Z1Z1-F, H05Z1Z1-F	3x0.75 mm ²	max 2 m	Standard:  or other to be agreed
		OMYżo, OWYżo, H05VV-F, H03Z1Z1-F, H05Z1Z1-F	3x1 mm ²	to be agreed	
			3x1.5 mm ²		
<i>Other cable types and variants to be agreed</i>					

WN-110 Power Cord

Intended use:



Technical characteristics

Cable in accordance with:


- PN-EN 60320-1:2015-11

- Power Cord (catalogue designation **WN-110** according to BIER SIN), for Class I devices, comprising a **W-1** two-pole straight plug with **protective contact (C14 according to IEC 60320)** and a **N-10** two-pole angled connector with **protective contact (C5 according to IEC 60320)**, pressed onto the cable (see table below).



RoHS REACH



Cable type by BSN BIER SIN designation	Cable ratings	Cable type	Cable cross-section	Cable length	Colour
WN-110	2.5A 250V ~	OMYżo, H03VV-F, OWYżo, H05VV-F, H03Z1Z1-F, H05Z1Z1-F	3x0.75 mm ²	max 2 m	Standard:  or other to be agreed
		OMYżo, OWYżo, H05VV-F, H03Z1Z1-F, H05Z1Z1-F	3x1 mm ²	to be agreed	
<i>Other cable types and variants to be agreed</i>					

11-1 type I Sewing machine power cord



Intended use: „Łucznik” type sewing machines




Technical characteristics

Cable in accordance with:

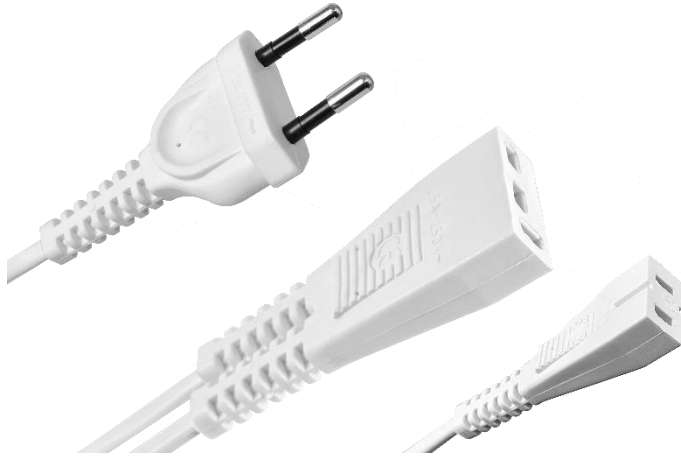
- PN-EN 50075:2001
- PN-EN IEC 60799:2021-07

- Sewing machine power cord (catalogue designation **11-1 type I** according to BIER SIN), consisting of the **WS-1** flat non-removable plug and **N-5** and **N-6** connectors with perpendicular contact arrangement, pressed onto the cable (see table below).

RoHS REACH

Cable type by BSN BIER SIN designation	Cable ratings	Cable type	Cable cross-section	Cable length	Colour
11-1 type I	2.5A 250V ~	H03VVH2-F	2x0.75 mm ²	2 m	Standard: 
<i>Other cable types and variants to be agreed</i>					

11-1 type II Sewing machine power cord



Intended use: „Łucznik” type sewing machines




Technical characteristics

Cable in accordance with:

- PN-EN 50075:2001
- PN-EN IEC 60799:2021-07

- Sewing machine power cord (catalogue designation **11-1 type II** according to BIRSIN), consisting of the **WS-1** flat non-removable plug and **N-5** and **N-6** connectors with parallel contact arrangement, pressed onto the cable (see table below).

RoHS REACH

Cable type by BSN BIRSIN designation	Cable ratings	Cable type	Cable cross-section	Cable length	Colour
11-1 type II	2.5A 250V ~	H03VVH2-F	2x0.75 mm ²	2 m	Standard: 
<i>Other cable types and variants to be agreed</i>					

40-0 Sewing machine power cord

Intended use: „Łucznik” type sewing machines
licence SINGER and „SINGER”



Technical characteristics


Cable in accordance with:

- PN-EN 50075:2001
- PN-EN IEC 60799:2021-07

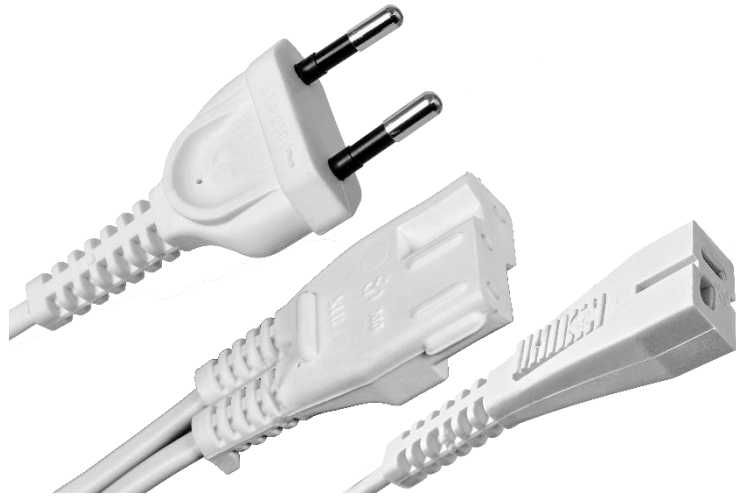
- Sewing machine power cord (catalogue designation **40-0** according to BIER SIN), consisting of the **WS-1** flat non-removable plug and **N-5** and **N-8** connectors, pressed onto the cable (see table below).



RoHS REACH

Cable type by BSN BIER SIN designation	Cable ratings	Cable type	Cable cross-section	Cable length	Colour
40-0	2.5A 250V ~	H03VVH2-F	2x0.75 mm ²	1,8 m	Standard: 
<i>Other cable types and variants to be agreed</i>					

48-2 Sewing machine power cord



Intended use: „Łucznik” type sewing machines




Technical characteristics

Cable in accordance with:

- PN-EN 50075:2001
- PN-EN IEC 60799:2021-07

- Sewing machine power cord (catalogue designation **48-2** according to BIRSIN), consisting of the **WS-1** flat non-removable plug and **N-5** and **N-10** connectors, pressed onto the cable (see table below).

RoHS REACH

Cable type by BSN BIRSIN designation	Cable ratings	Cable type	Cable cross-section	Cable length	Colour
48-2	2.5A 250V ~	H03VVH2-F	2x0.75 mm ²	2 m	Standard: 
<i>Other cable types and variants to be agreed</i>					

53-0 Sewing machine power cord



Intended use: „Łucznik” type sewing machines




Technical characteristics

Cable in accordance with:

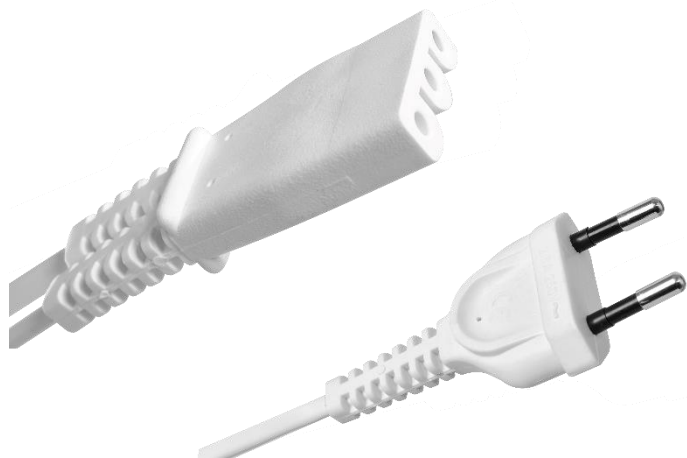
- PN-EN 50075:2001
- PN-EN IEC 60799:2021-07

- Sewing machine power cord (catalogue designation **53-0** according to BIER SIN), consisting of the **WS-1** flat non-removable plug and **N-5** and **N-7** connectors, pressed onto the cable (see table below).

RoHS REACH

Cable type by BSN BIER SIN designation	Cable ratings	Cable type	Cable cross-section	Cable length	Colour
53-0	2.5A 250V ~	H03VVH2-F	2x0.75 mm ²	2 m	Standard: 
<i>Other cable types and variants to be agreed</i>					

SN-112 Sewing machine power cord



Intended use: „Łuczniczka” type sewing machines




Technical characteristics

Cable in accordance with:

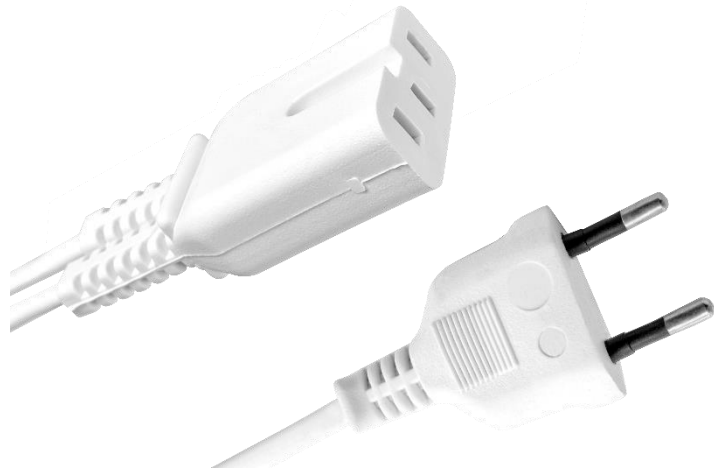
- PN-EN 50075:2001
- PN-EN IEC 60799:2021-07

- Sewing machine power cord (catalogue designation **SN-112** according to BIER SIN), consisting of the **WS-1** flat non-removable plug and **N-12** connector, pressed onto the cable (see **table below**).
- At the free end, we can produce one of the bend protectors according to the customer's requirements (see **bend protectors**).
- The cores of the free end of the cable are crimped in accordance with the specifications (see **free end termination**).

RoHS REACH

Cable type by BSN BIER SIN designation	Cable ratings	Cable type	Cable cross-section	Cable length	Colour
SN-112	2.5A 250V ~	H03VVH2-F	2x0.75 mm ²	1,8 m	Standard: 
<i>Other cable types and variants to be agreed</i>					

SN-113 Sewing machine power cord



Intended use: „Łucznik” type sewing machines




Technical characteristics

Cable in accordance with:

- PN-EN 50075:2001
- PN-EN IEC 60799:2021-07

- Sewing machine power cord (catalogue designation **SN-113** according to BIER SIN), consisting of the **WS-1** flat non-removable plug and **N-13** connector, pressed onto the cable (see **table below**).
- At the free end, we can produce one of the bend protectors according to the customer’s requirements (see **bend protectors**).
- The cores of the free end of the cable are crimped in accordance with the specifications (see **free end termination**).

RoHS REACH

Cable type by BSN BIER SIN designation	Cable ratings	Cable type	Cable cross-section	Cable length	Colour
SN-113	2.5A 250V ~	H03VVH2-F	2x0.75 mm ²	1,8 m	Standard: 
<i>Other cable types and variants to be agreed</i>					

SN-113 P Sewing machine power cord



Intended use: „Łucznik”
type sewing machines




Technical characteristics

Cable in accordance with:

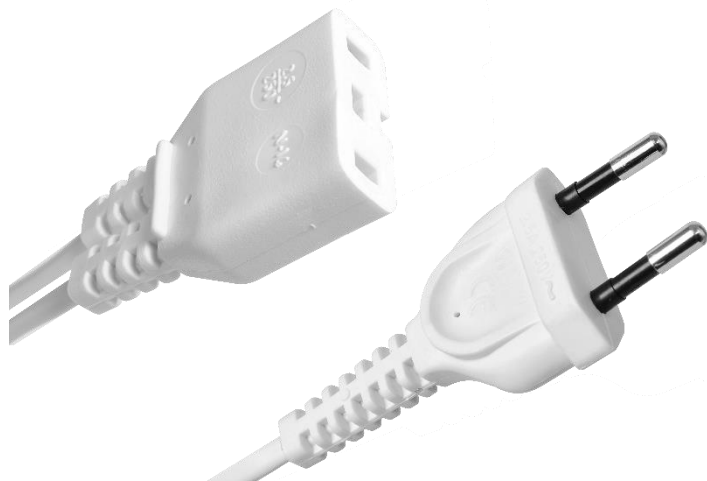
- PN-EN 50075:2001
- PN-EN IEC 60799:2021-07

- Sewing machine power cord (catalogue designation **SN-113 P** according to BIER SIN), consisting of the **WS-1** flat non-removable plug and **N-5** and **N-13** connectors, pressed onto the cable (see table below).

RoHS REACH

Cable type by BSN BIER SIN designation	Cable ratings	Cable type	Cable cross-section	Cable length	Colour
SN-113 P	2.5A 250V ~	H03VVH2-F	2x0.75 mm ²	1,8 m	Standard: 
<i>Other cable types and variants to be agreed</i>					

SN-114 Sewing machine power cord



Intended use: „Łuczniczka” type sewing machines




Technical characteristics

Cable in accordance with:

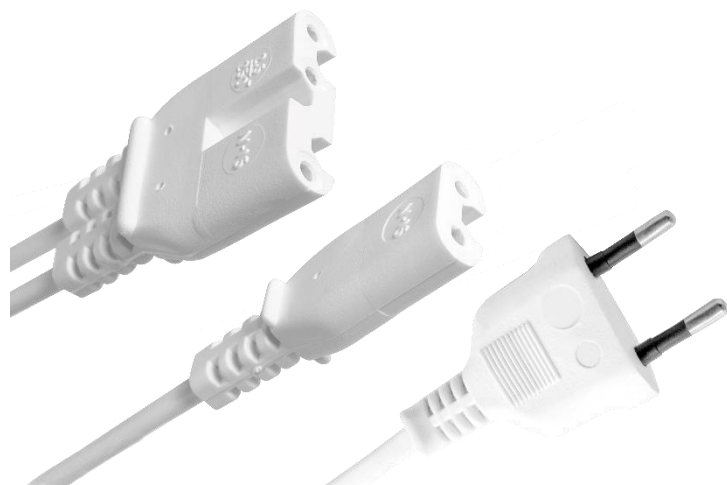
- PN-EN 50075:2001
- PN-EN IEC 60799:2021-07

- Sewing machine power cord (catalogue designation **SN-114** according to BIER SIN), consisting of the **WS-1** flat non-removable plug and **N-14** connector, pressed onto the cable (see **table below**).
- At the free end, we can produce one of the bend protectors according to the customer's requirements (see **bend protectors**).
- The cores of the free end of the cable are crimped in accordance with the specifications (see **free end termination**).

RoHS REACH

Cable type by BSN BIER SIN designation	Cable ratings	Cable type	Cable cross-section	Cable length	Colour
SN-114	2.5A 250V ~	H03VVH2-F	2x0.75 mm ²	1,8 m	Standard: 
<i>Other cable types and variants to be agreed</i>					

SN-116 Sewing machine power cord



Intended use: „Łucznik” type sewing machines




Technical characteristics

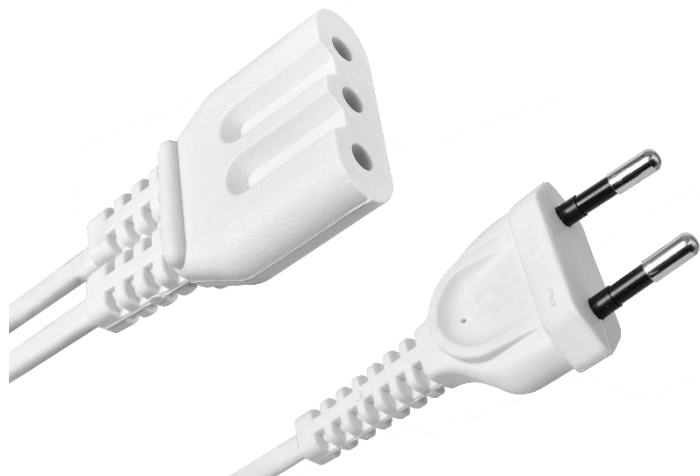
Cable in accordance with:
 - PN-EN 50075:2001
 - PN-EN IEC 60799:2021-07

- Sewing machine power cord (catalogue designation **SN-116** according to BIER SIN), consisting of the **WS-1** flat non-removable plug and **N-15** and **N-16** connectors, pressed onto the cable (see table below).

RoHS REACH

Cable type by BSN BIER SIN designation	Cable ratings	Cable type	Cable cross-section	Cable length	Colour
SN-116	2.5A 250V ~	H03VVH2-F	2x0.75 mm ²	1,8 m	Standard: 
<i>Other cable types and variants to be agreed</i>					

SN-117 Sewing machine power cord



Intended use: „Łuczniczka” type sewing machines




Technical characteristics

Cable in accordance with:

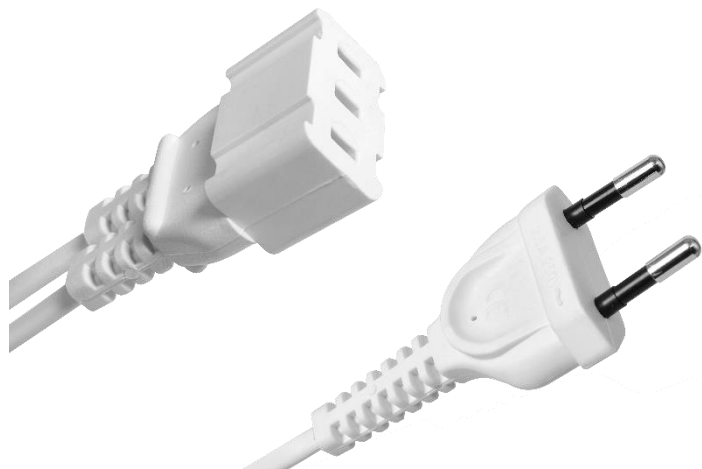
- PN-EN 50075:2001
- PN-EN IEC 60799:2021-07

- Sewing machine power cord (catalogue designation **SN-117** according to BIER SIN), consisting of the **WS-1** flat non-removable plug and **N-17** connector, pressed onto the cable (see table below).
- At the free end, we can produce one of the bend protectors according to the customer's requirements (see **bend protectors**).
- The cores of the free end of the cable are crimped in accordance with the specifications (see **free end termination**).

RoHS REACH

Cable type by BSN BIER SIN designation	Cable ratings	Cable type	Cable cross-section	Cable length	Colour
SN-117	2.5A 250V ~	H03VVH2-F	2x0.75 mm ²	1,8 m	Standard: 
<i>Other cable types and variants to be agreed</i>					

SN-119 Sewing machine power cord



Intended use: „Łucznik” type sewing machines




Technical characteristics

Cable in accordance with:

- PN-EN 50075:2001
- PN-EN IEC 60799:2021-07

- Sewing machine power cord (catalogue designation **SN-119** according to BIER SIN), consisting of the **WS-1** flat non-removable plug and **N-19** connector, pressed onto the cable (see table below).
- At the free end, we can produce one of the bend protectors according to the customer's requirements (see **bend protectors**).
- The cores of the free end of the cable are crimped in accordance with the specifications (see **free end termination**).

RoHS REACH

Cable type by BSN BIER SIN designation	Cable ratings	Cable type	Cable cross-section	Cable length	Colour
SN-119	2.5A 250V ~	H03VVH2-F	2x0.75 mm ²	1,8 m	Standard: 
<i>Other cable types and variants to be agreed</i>					

Assembly

The company has extensive experience in the assembly of electrical and electrotechnical products. We have the capacity to undertake work in this area.

The range of products assembled by BSN BIERSIN includes:

- foreign plugs, e.g.:
 - **English,**
 - **Swiss,**
 - **Italian,**
 - **African...**
- sockets, splitters, extension cords,
- 12V, 240V, 230V lighting lamps,
- automotive plugs and cables,
- others as per order.

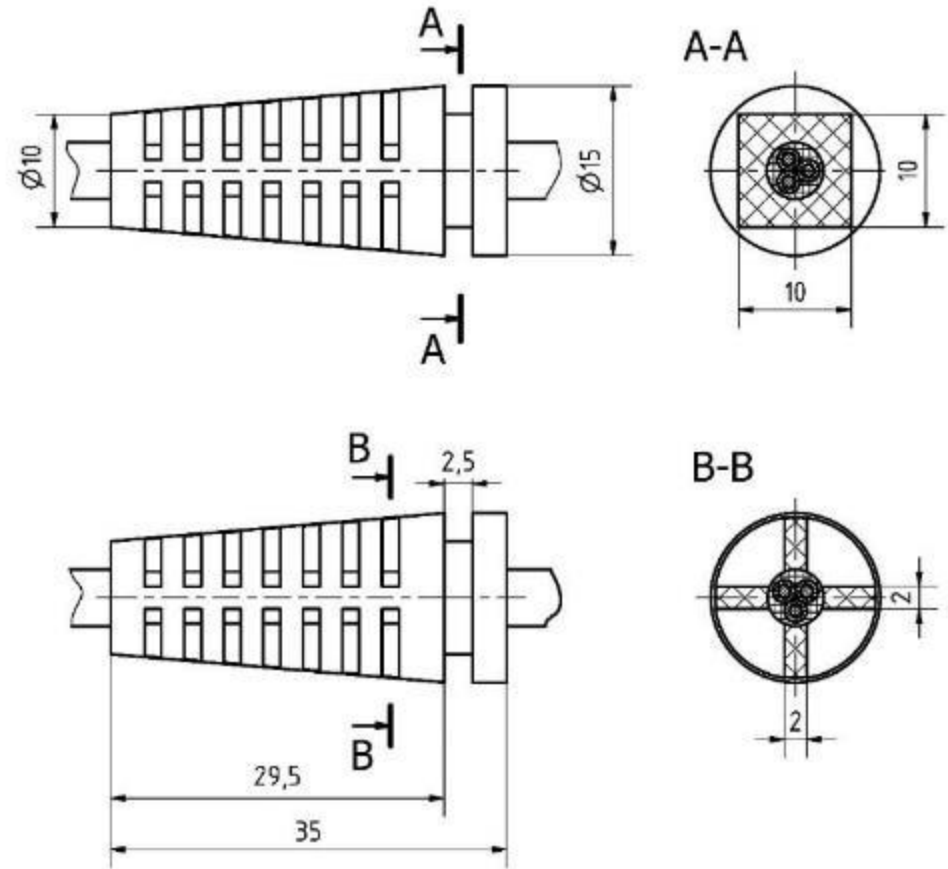
Bend Protectors

Intended use:

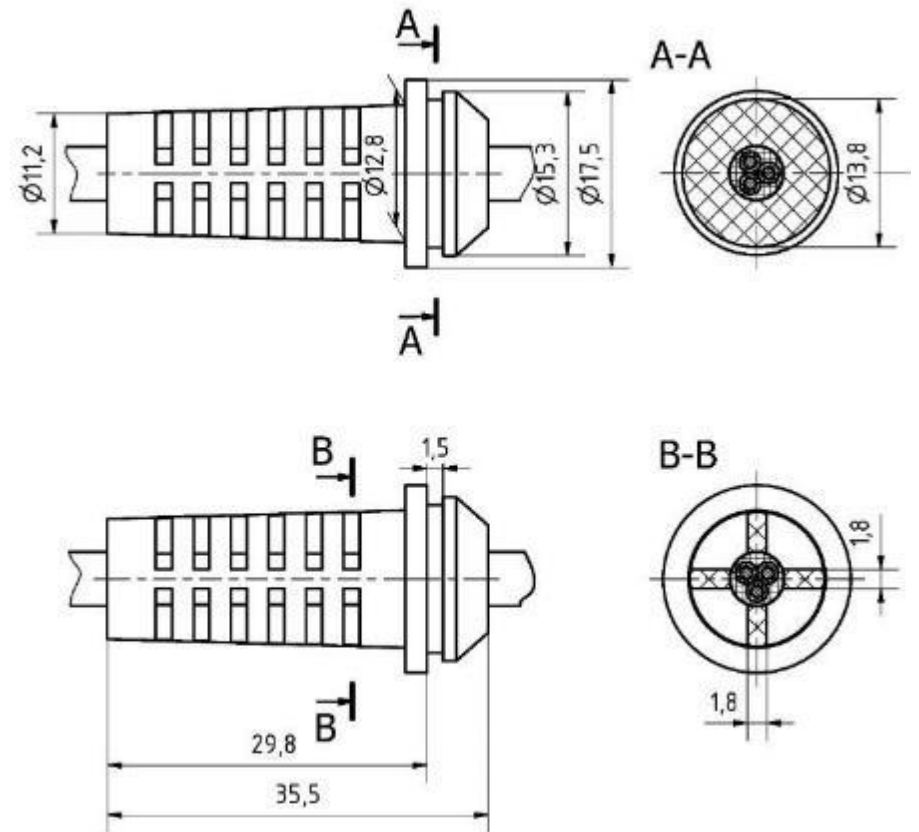
In our range of products, you will find 30 types of bend protectors, which are made of flexible polyvinyl chloride (PVC). Their main purpose is to protect the cables from cutting and excessive bending of the cable when exiting various types of receivers.

There is the possibility of moulding bend protectors on provided material.

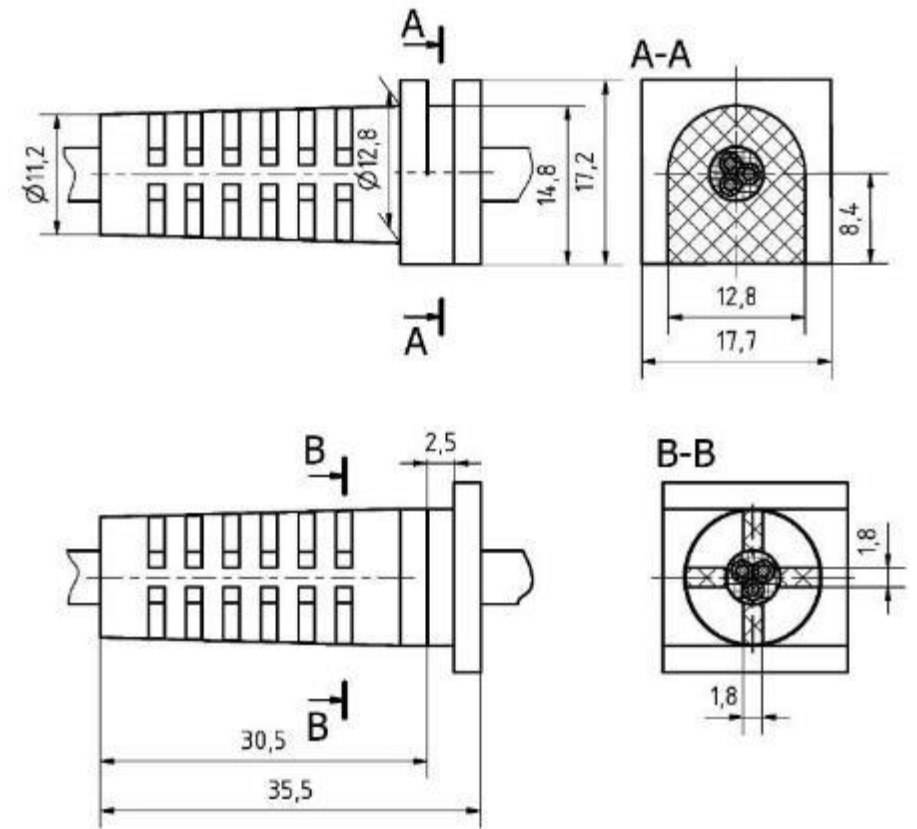
G-3 Bend Protector



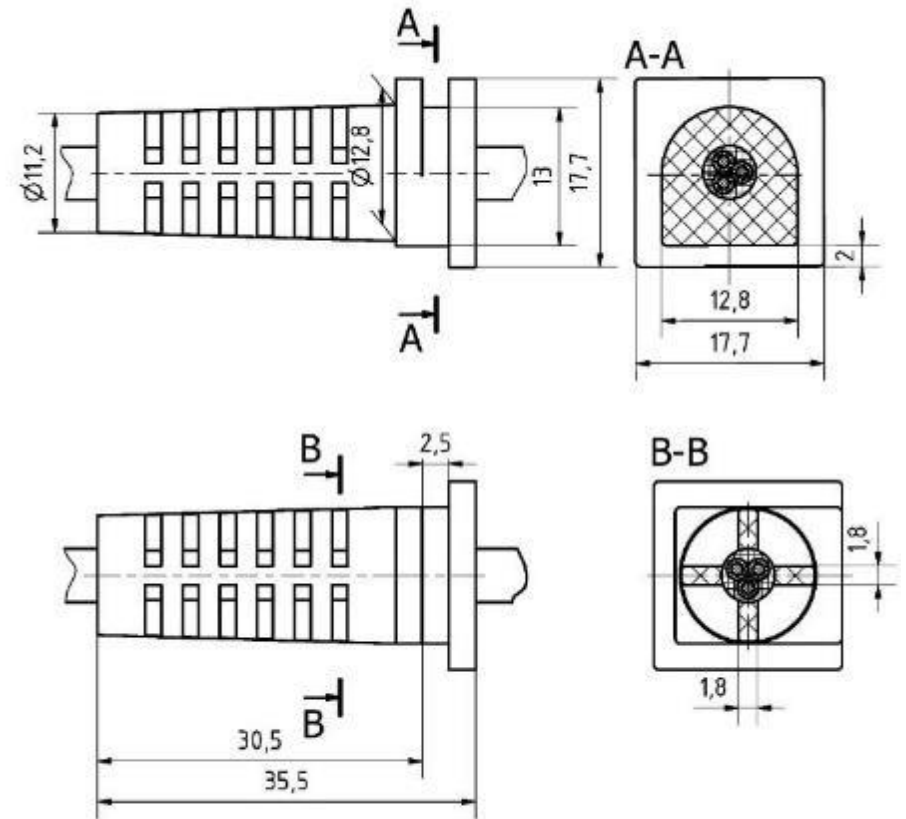
O-11 Bend Protector



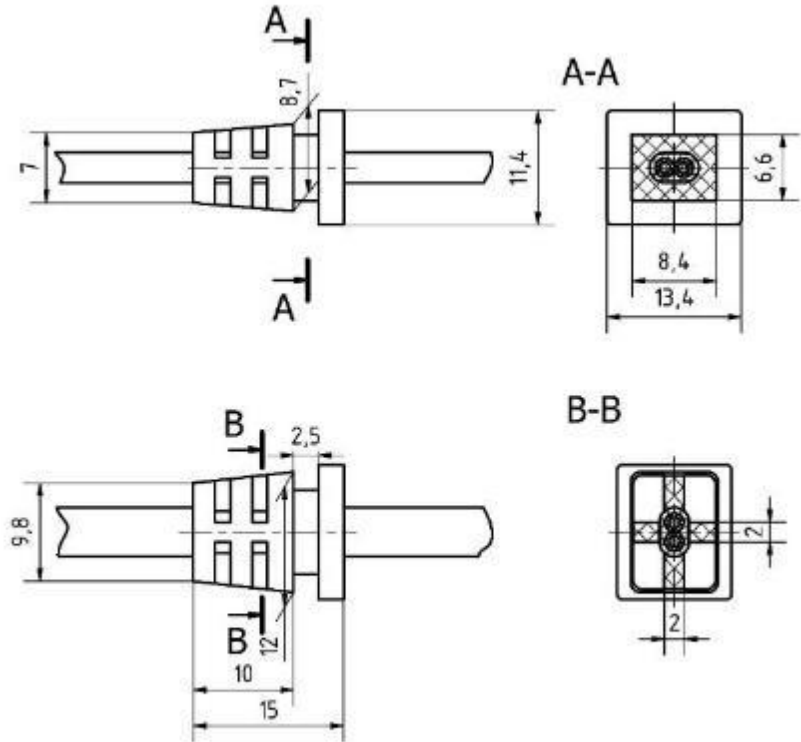
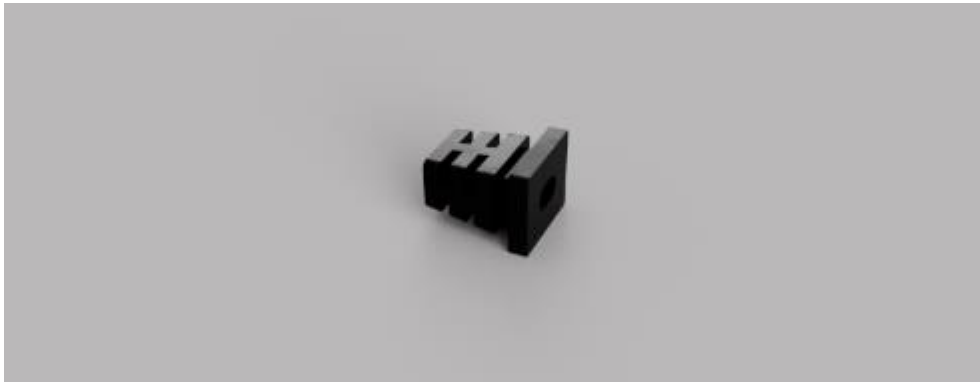
O-12 Bend Protector



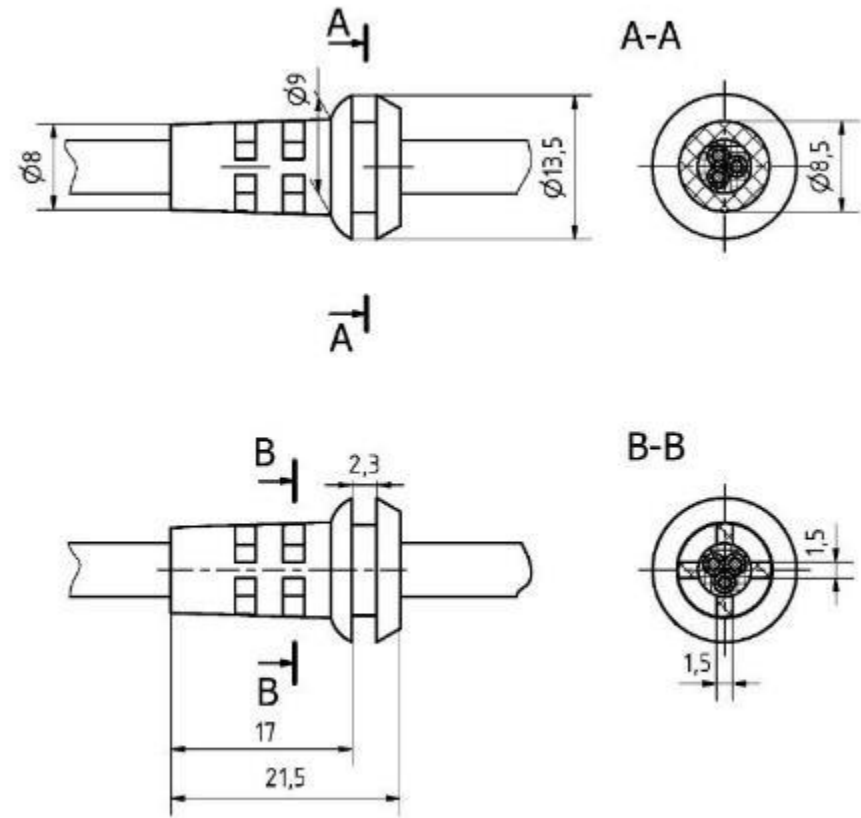
O-13 Bend Protector



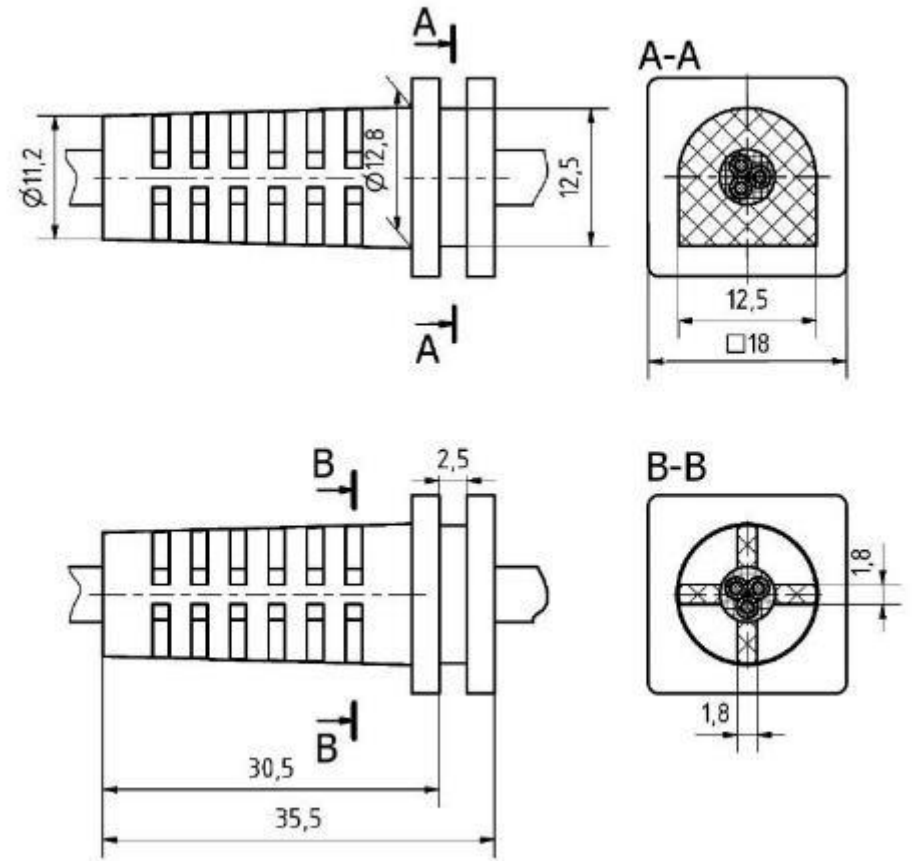
O-14 Bend Protector



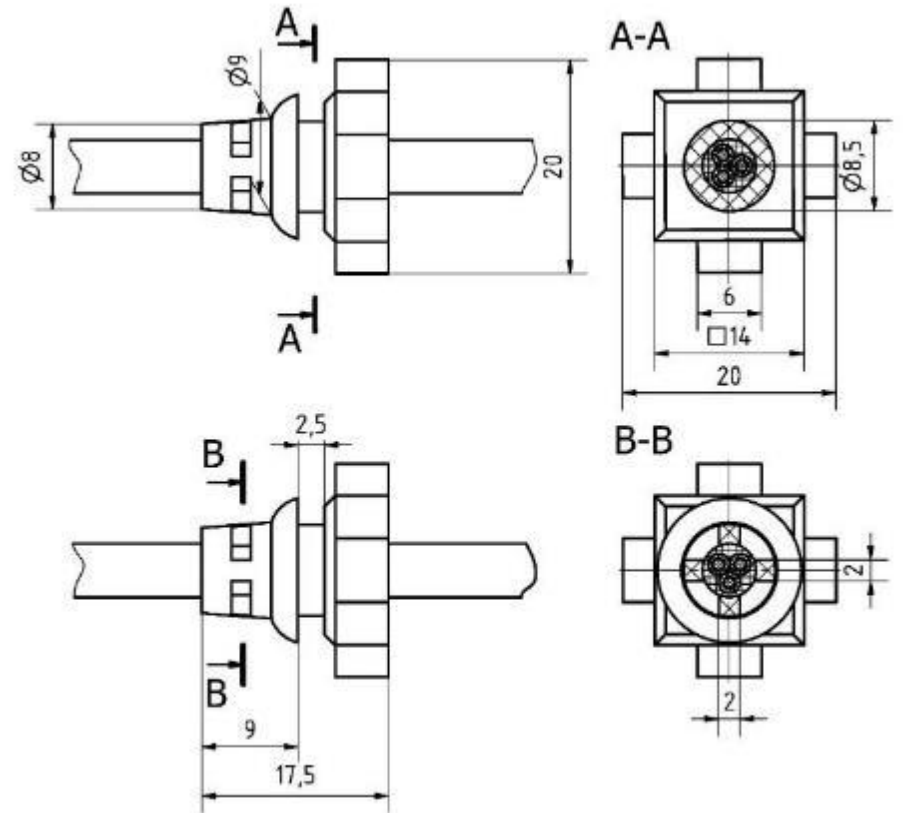
O-15 Bend Protector



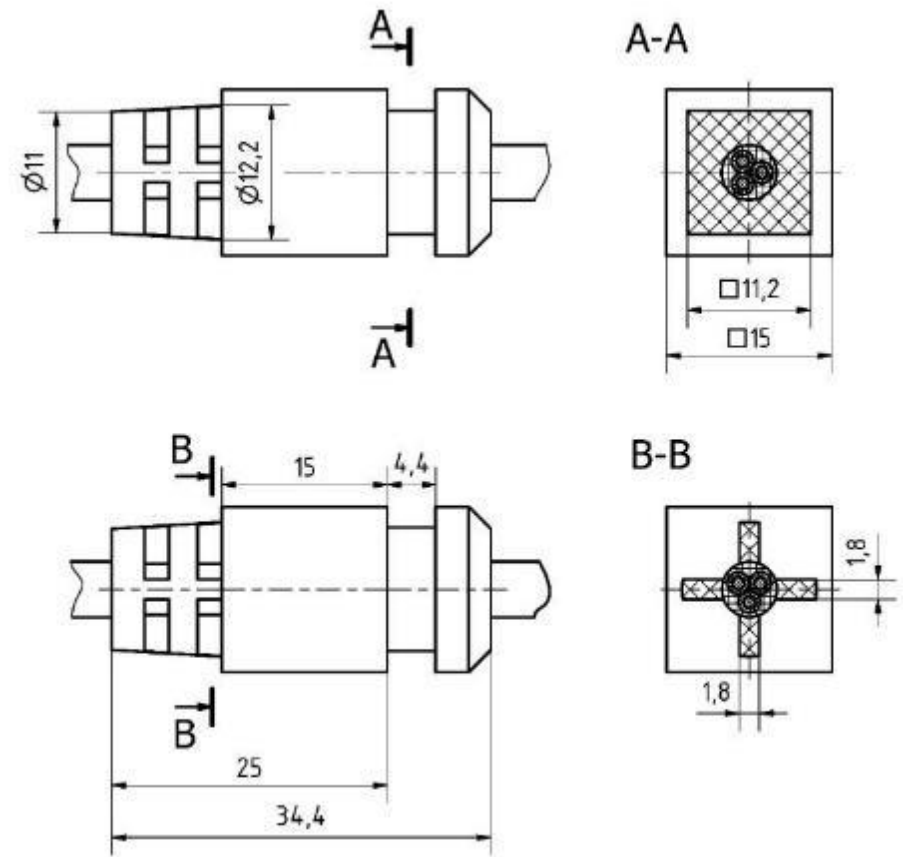
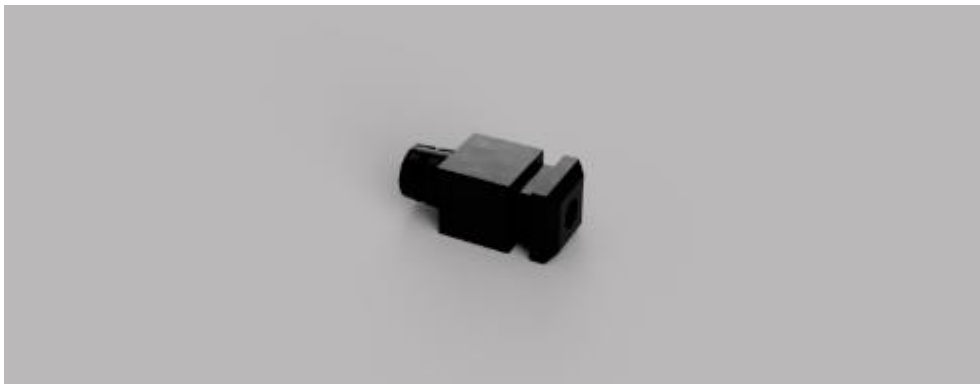
O-16 Bend Protector



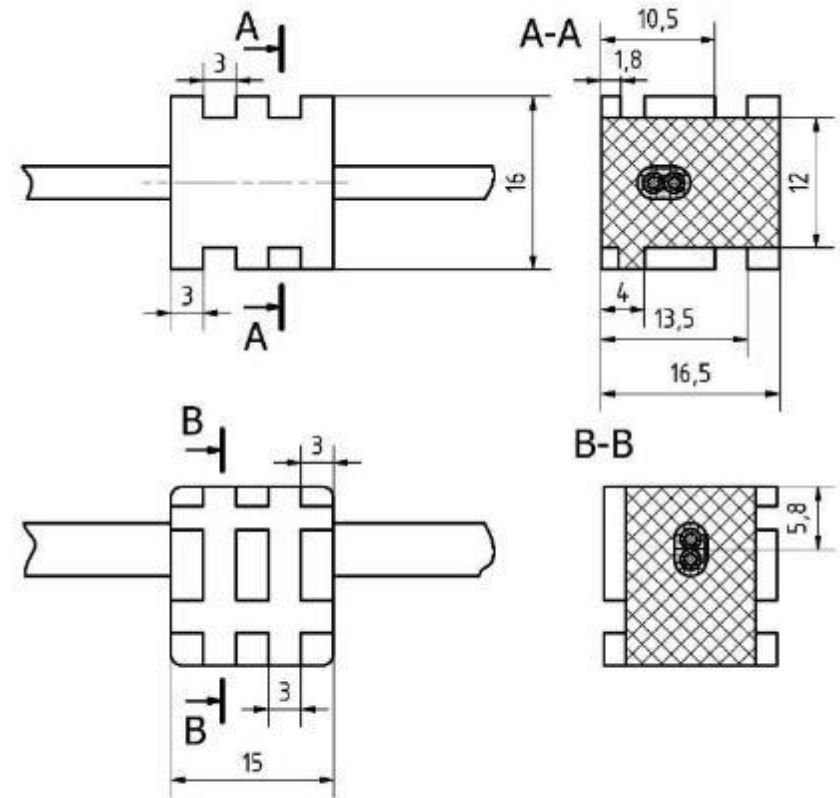
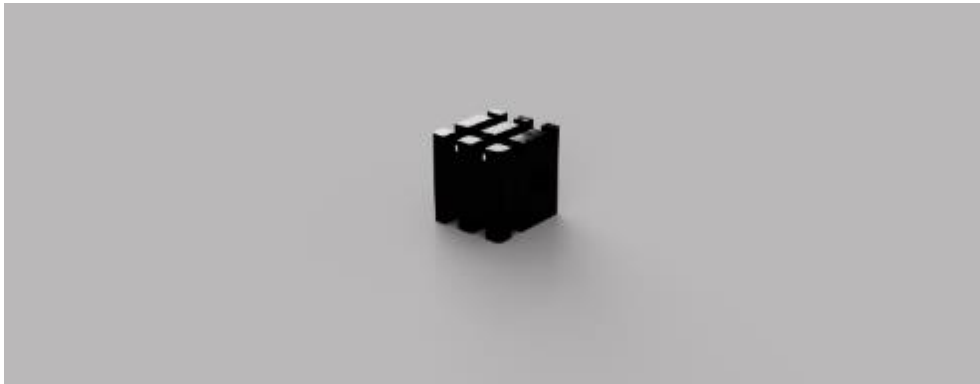
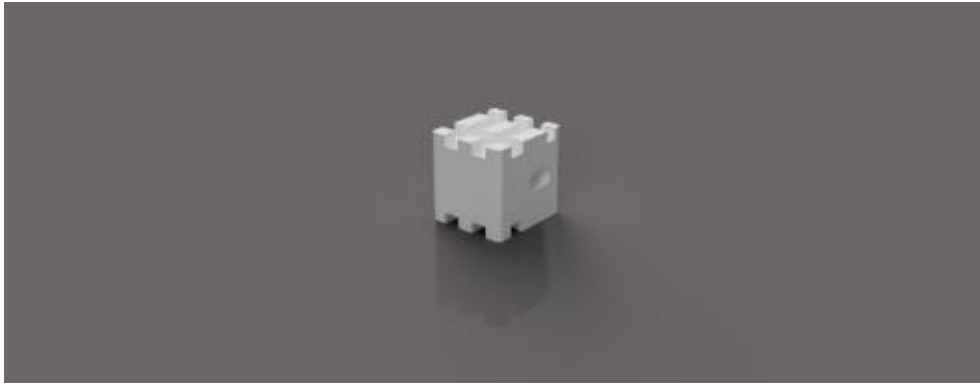
O-17 Bend Protector



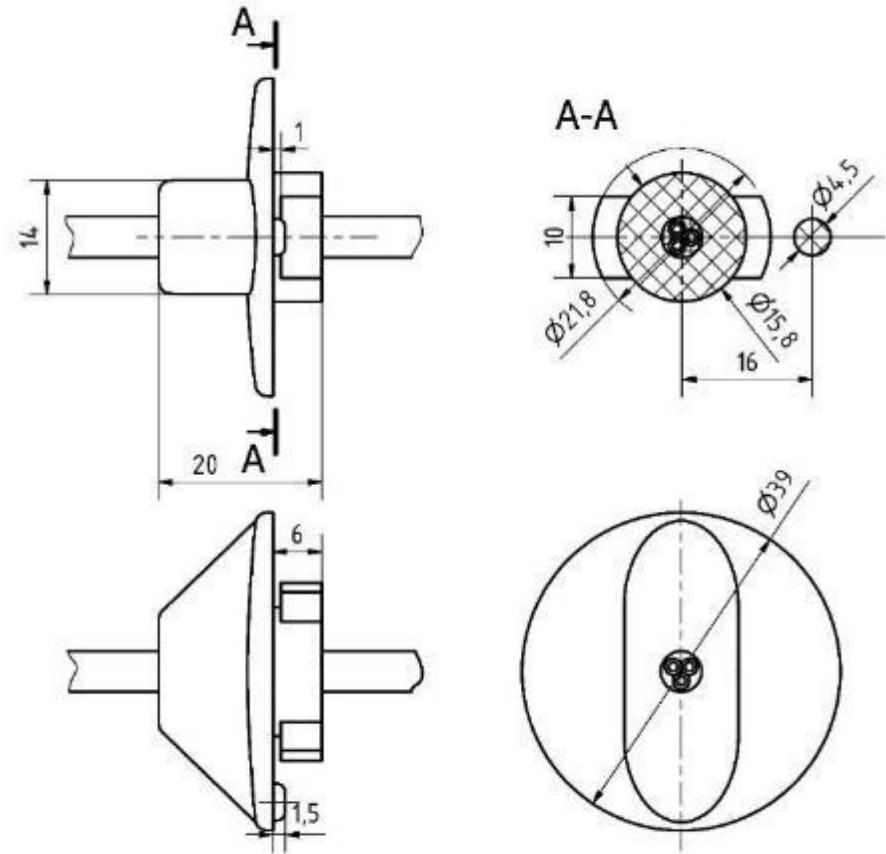
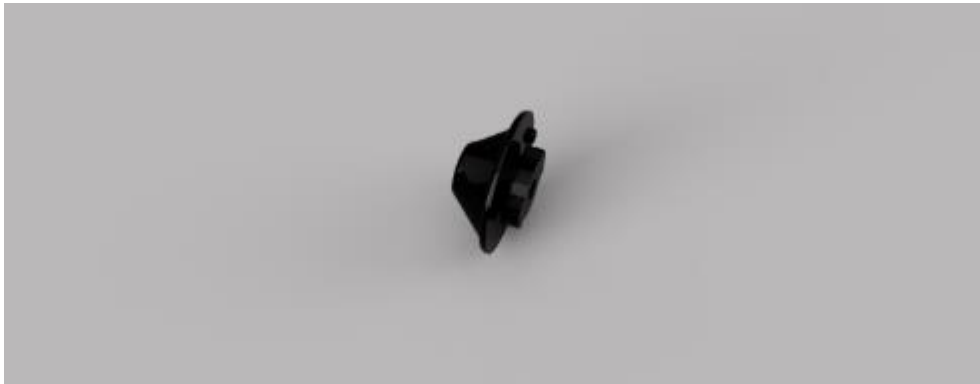
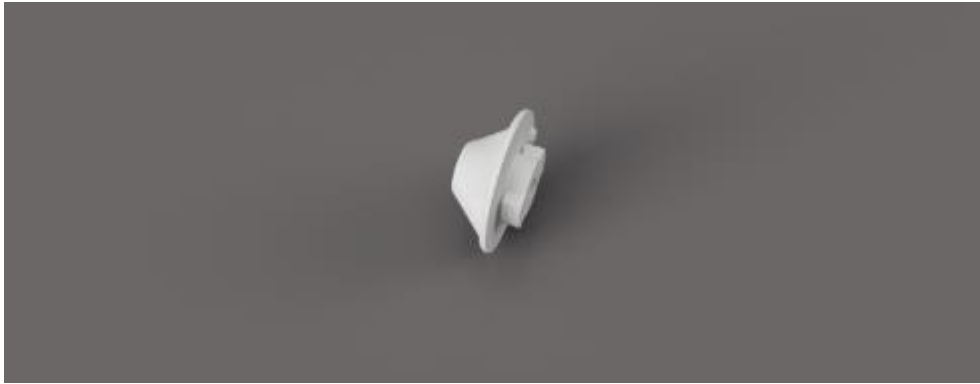
O-18 Bend Protector



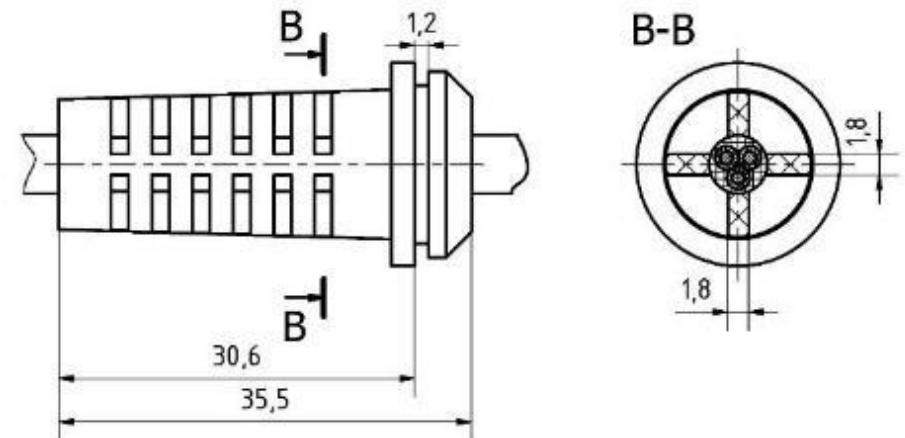
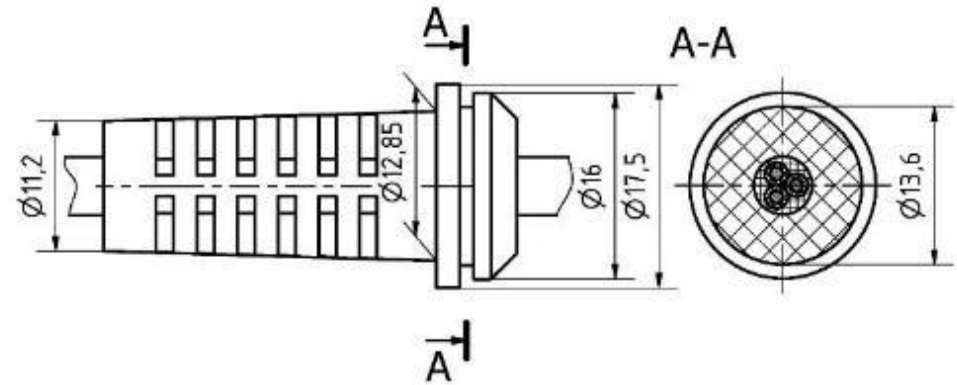
O-19 Bend Protector



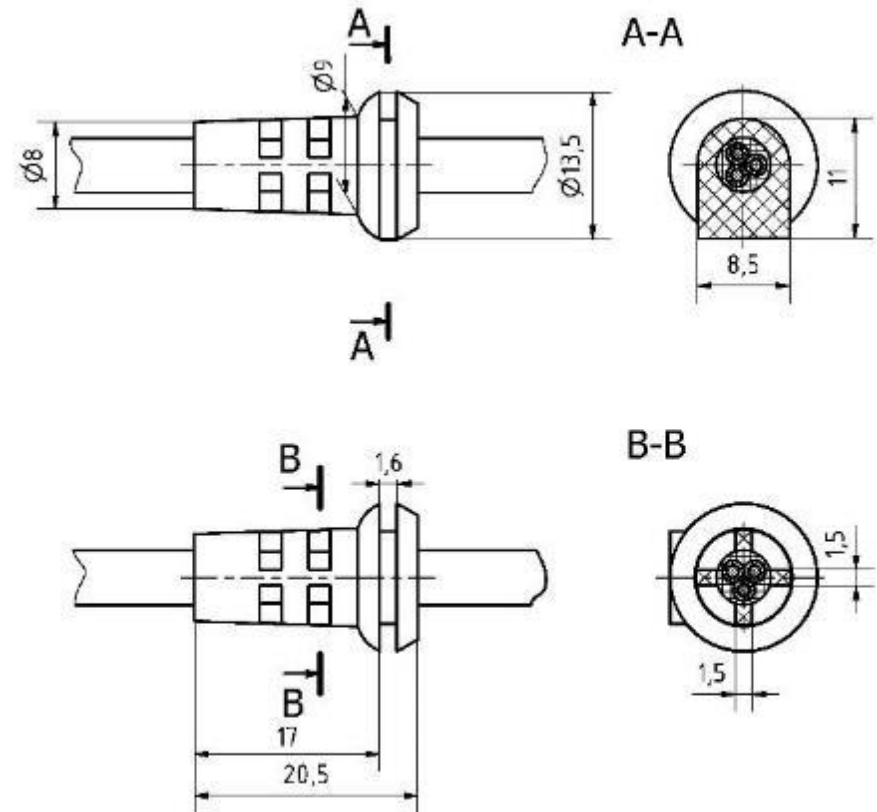
O-20 Bend Protector



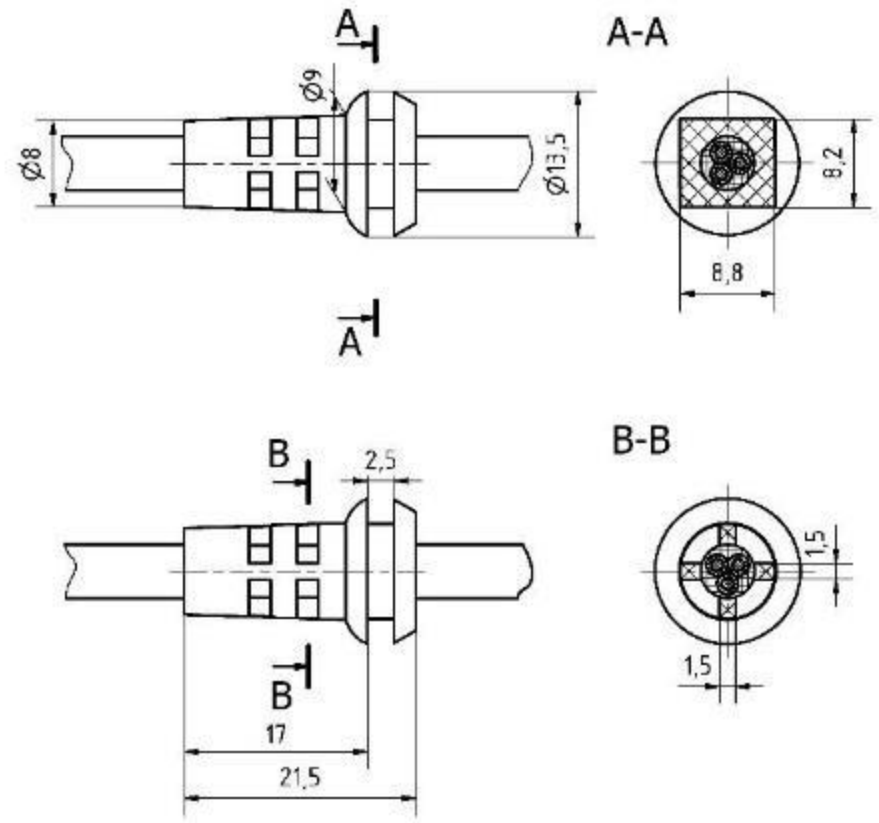
O-21 Bend Protector



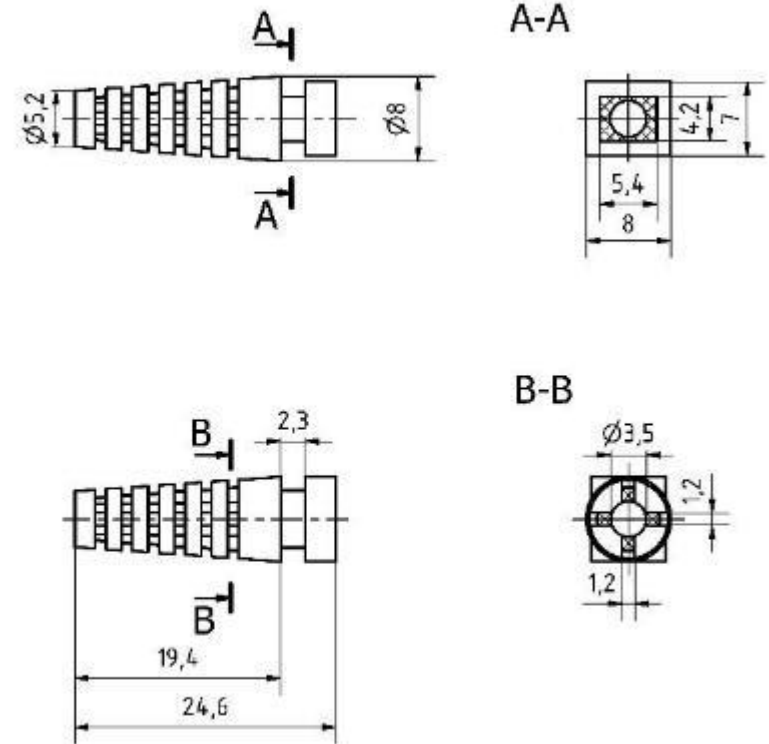
O-22 Bend Protector



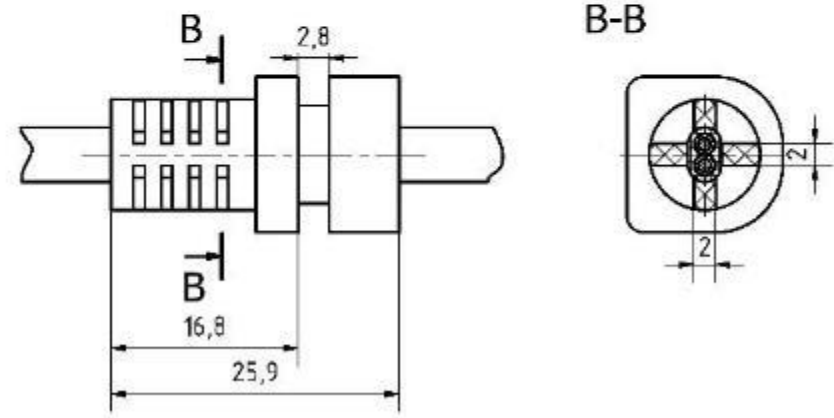
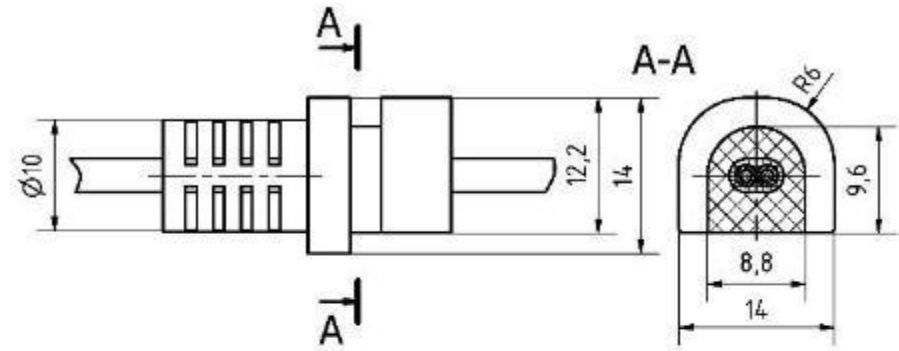
O-24 Bend Protector



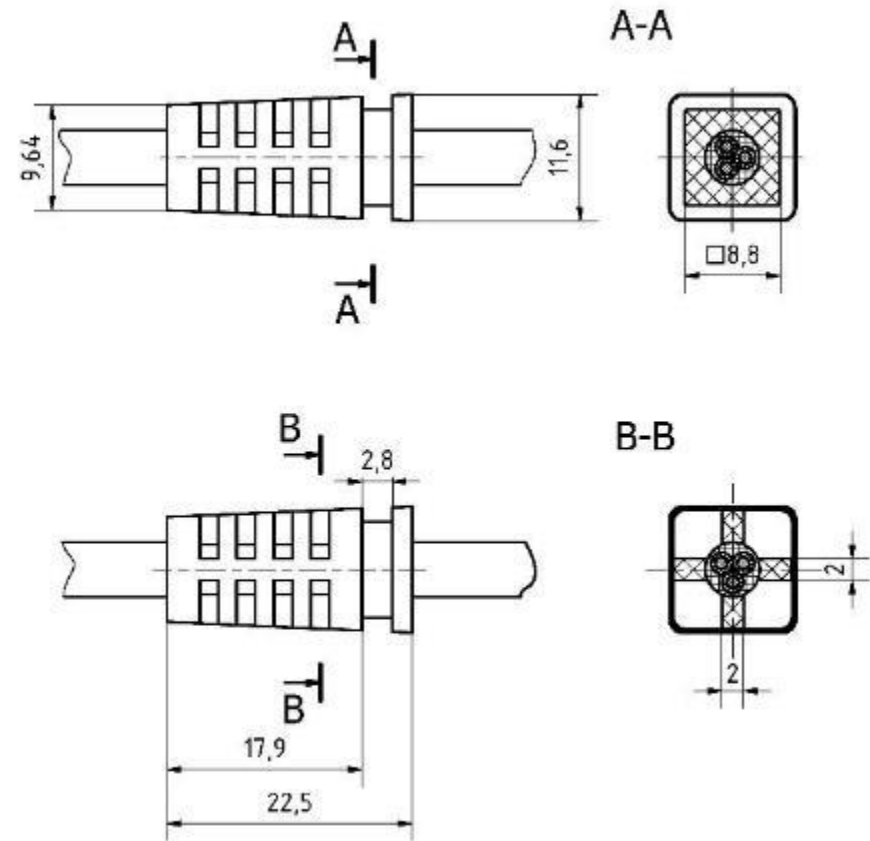
O-25 Bend Protector



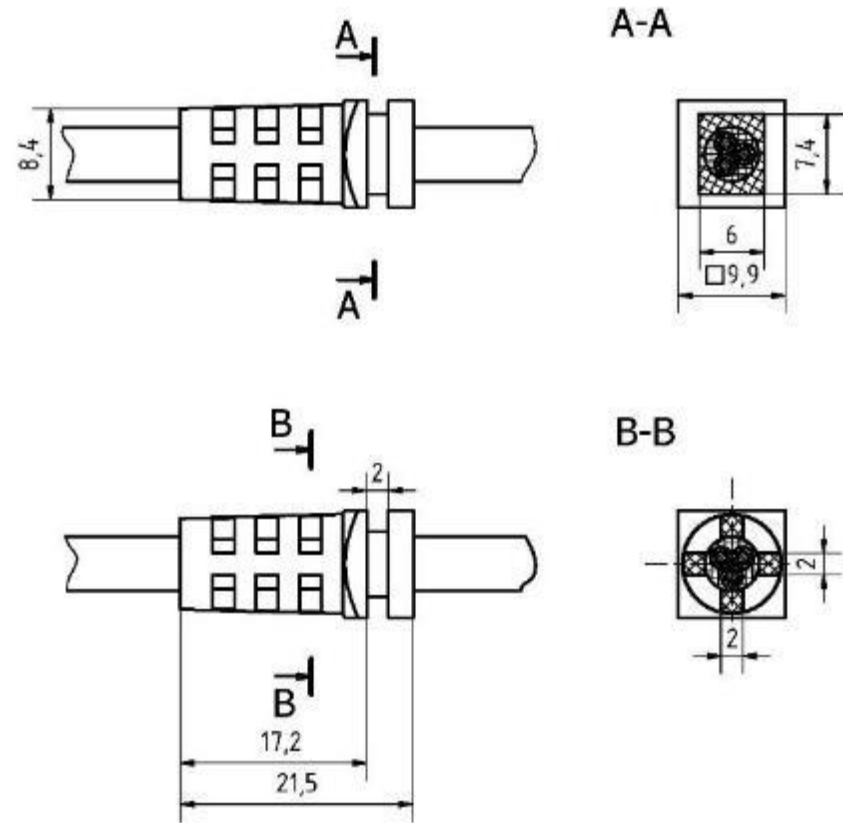
O-26 Bend Protector



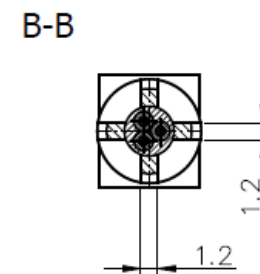
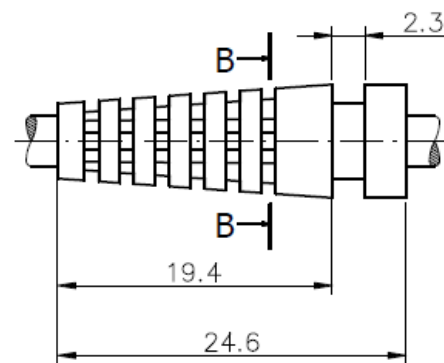
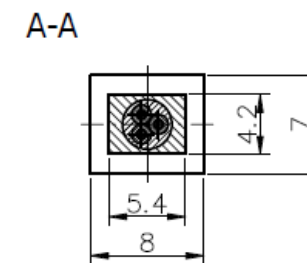
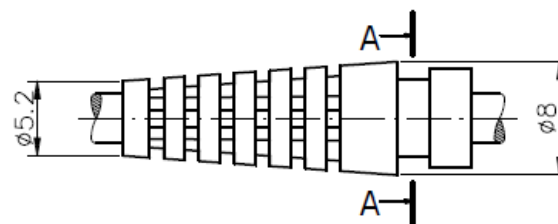
O-27 Bend Protector



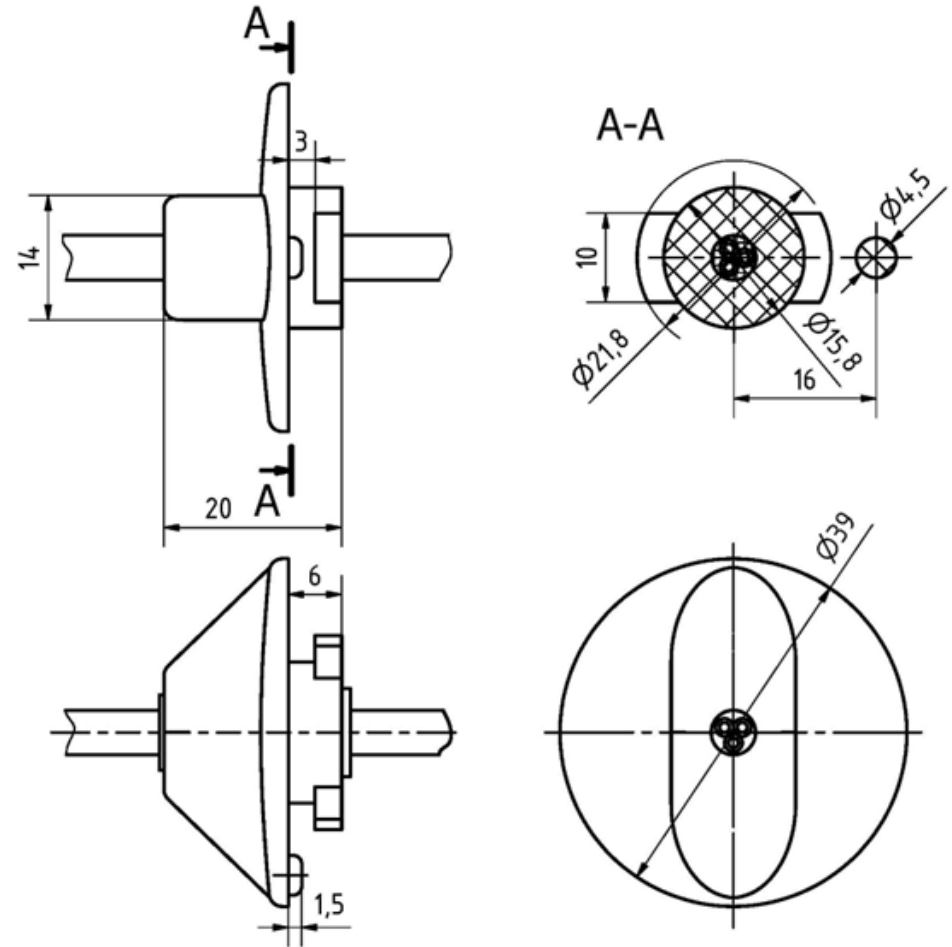
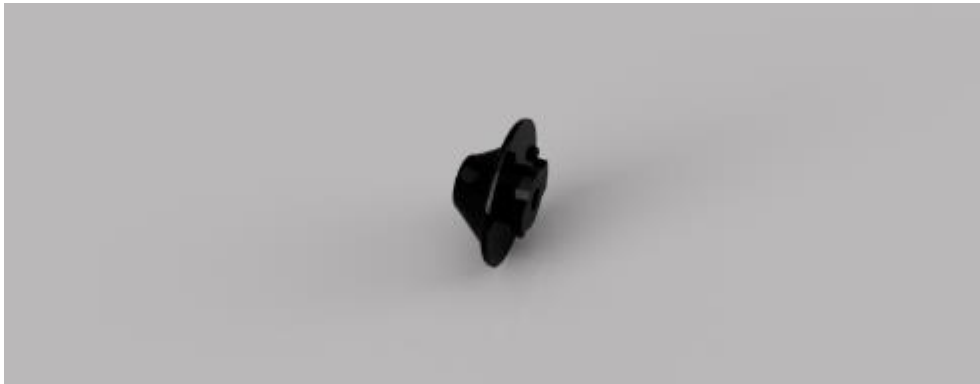
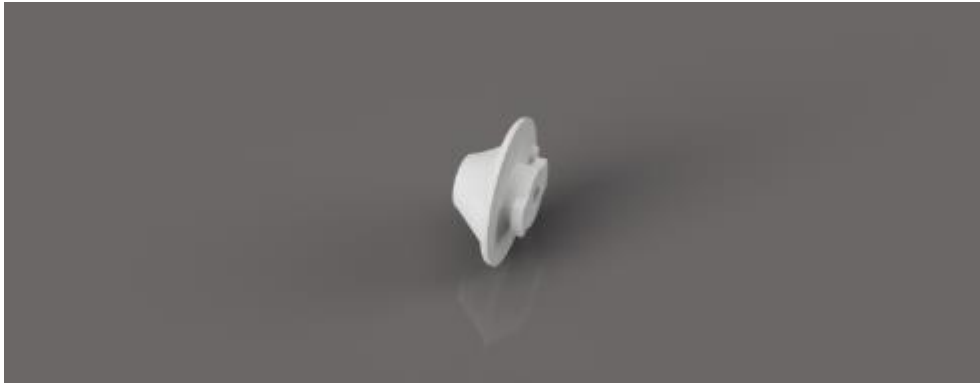
O-28 Bend Protector



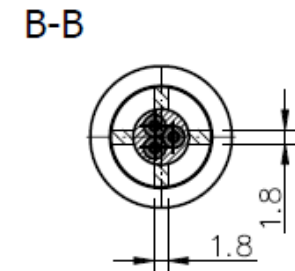
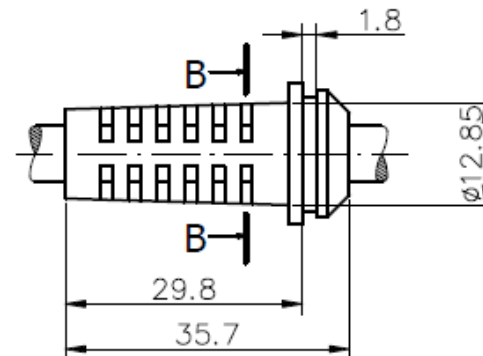
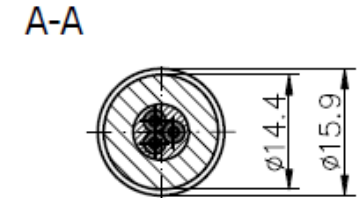
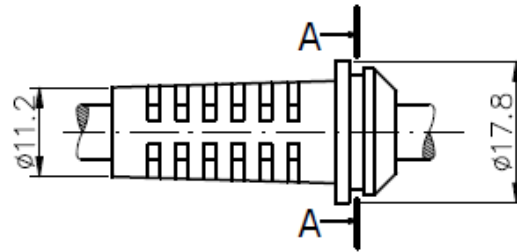
O-29 Bend Protector



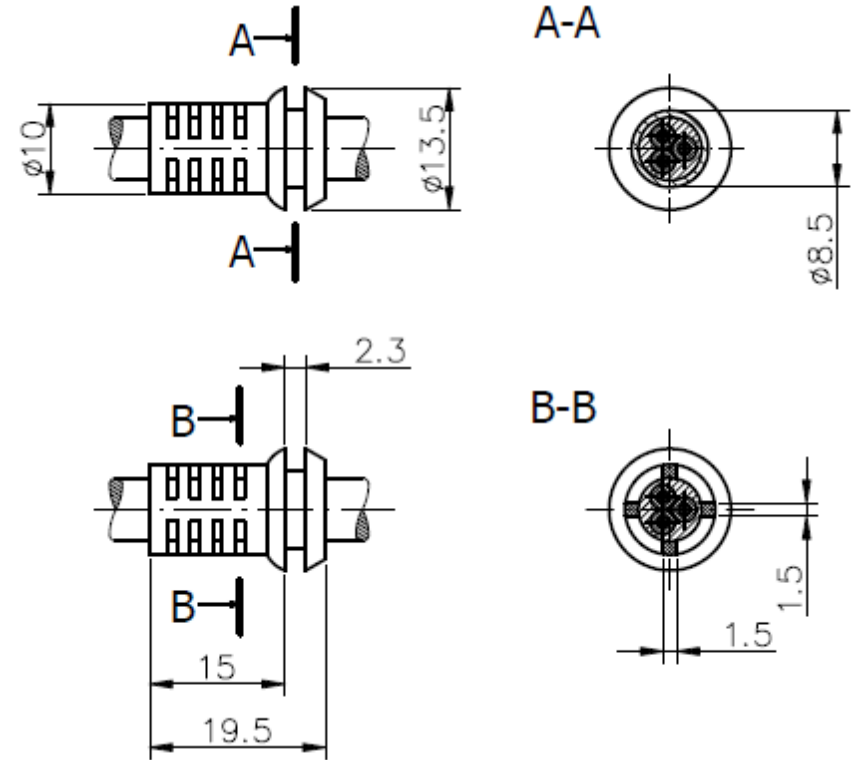
O-30 Bend Protector



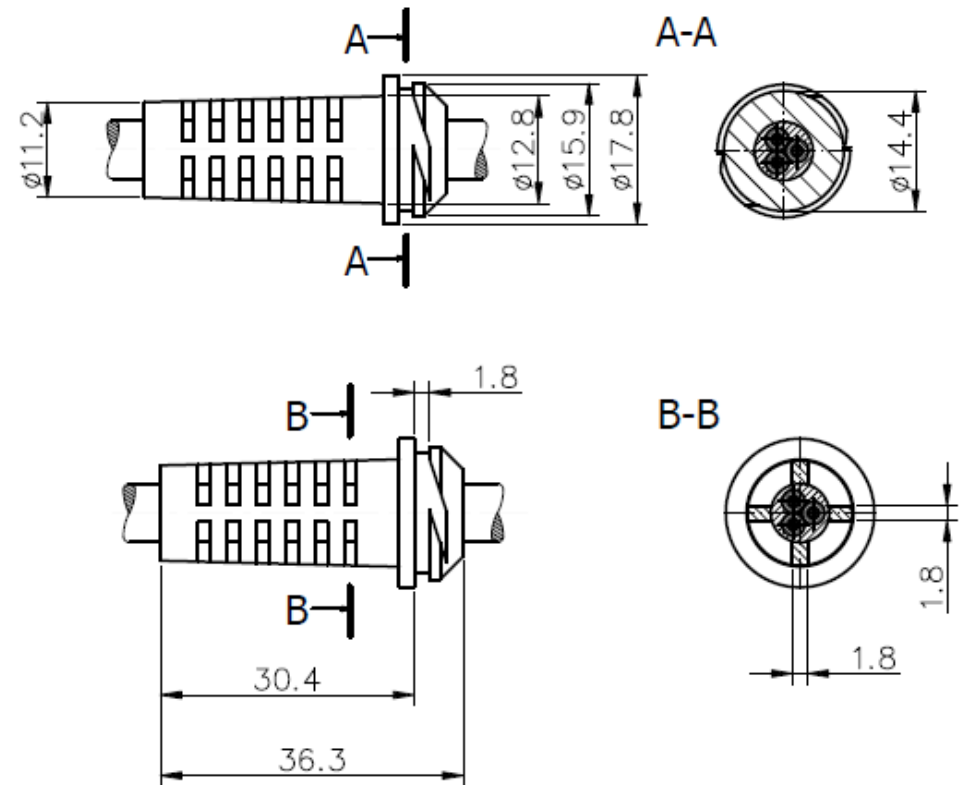
O-31 Bend Protector



O-32 Bend Protector

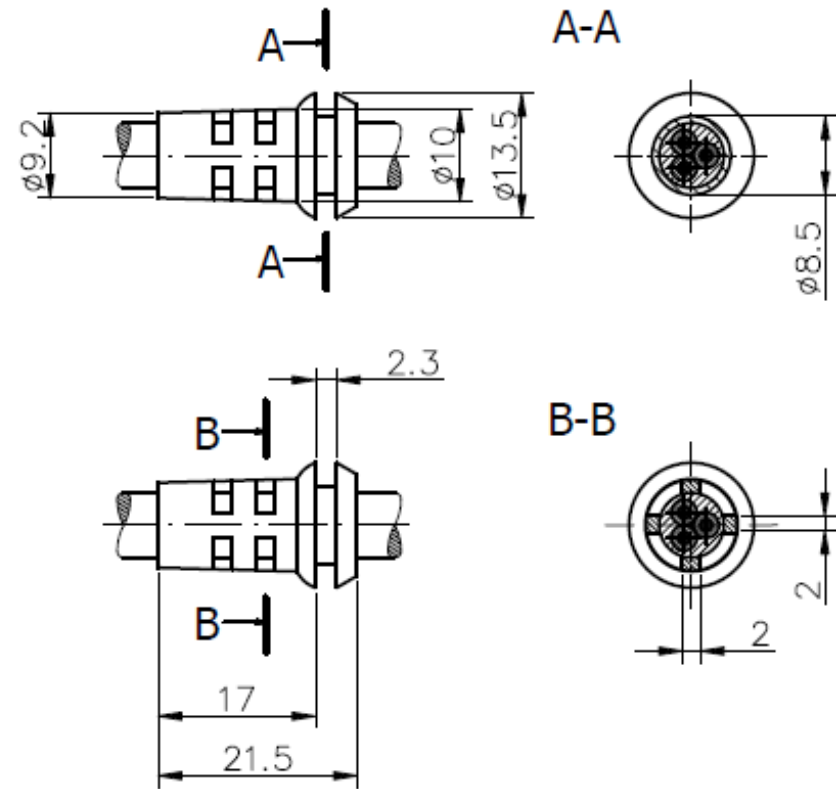


O-34 Bend Protector

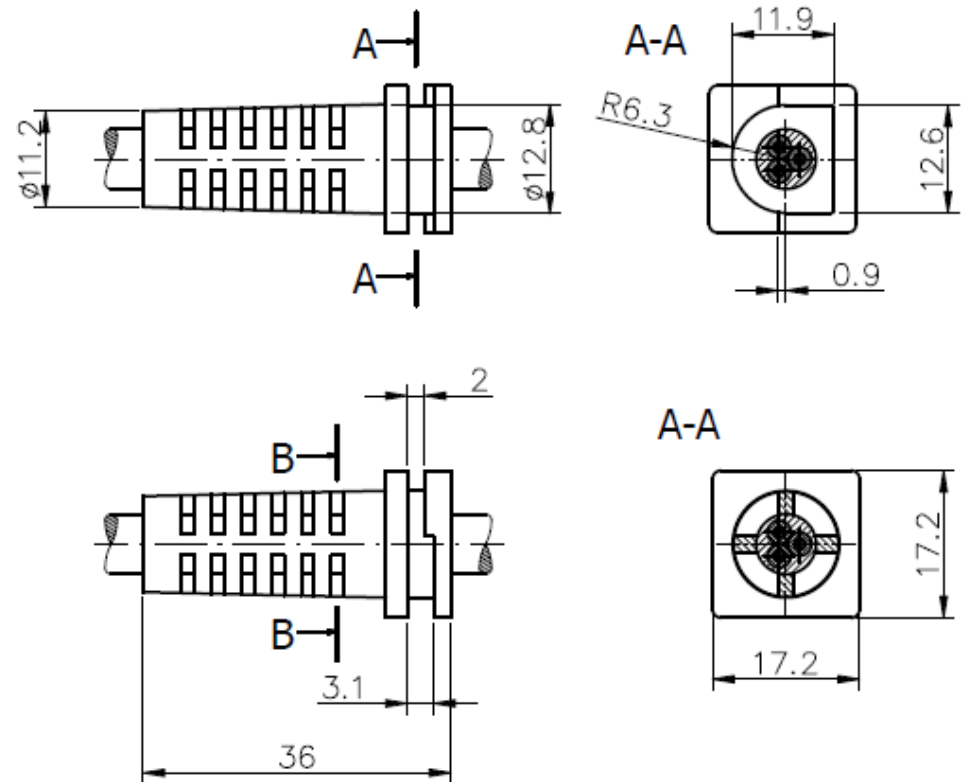


* Odgiętka wkręcana
w pełny otwór $\phi 14.5$

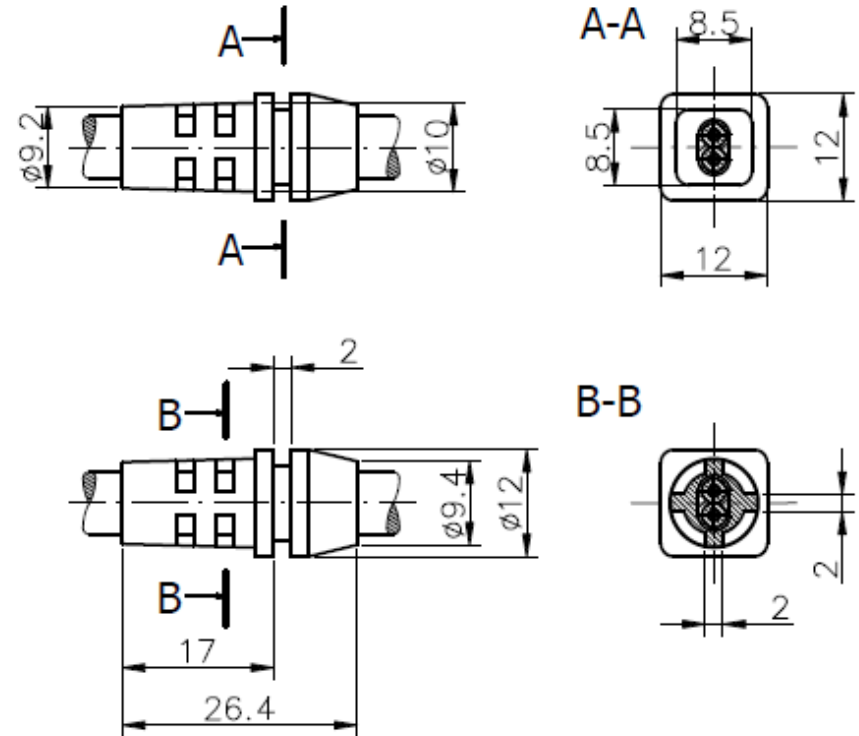
O-35 Bend Protector



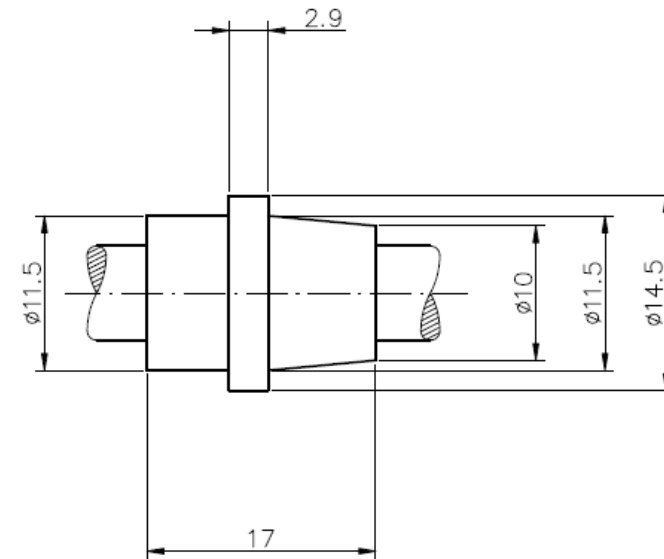
O-36 Bend Protector



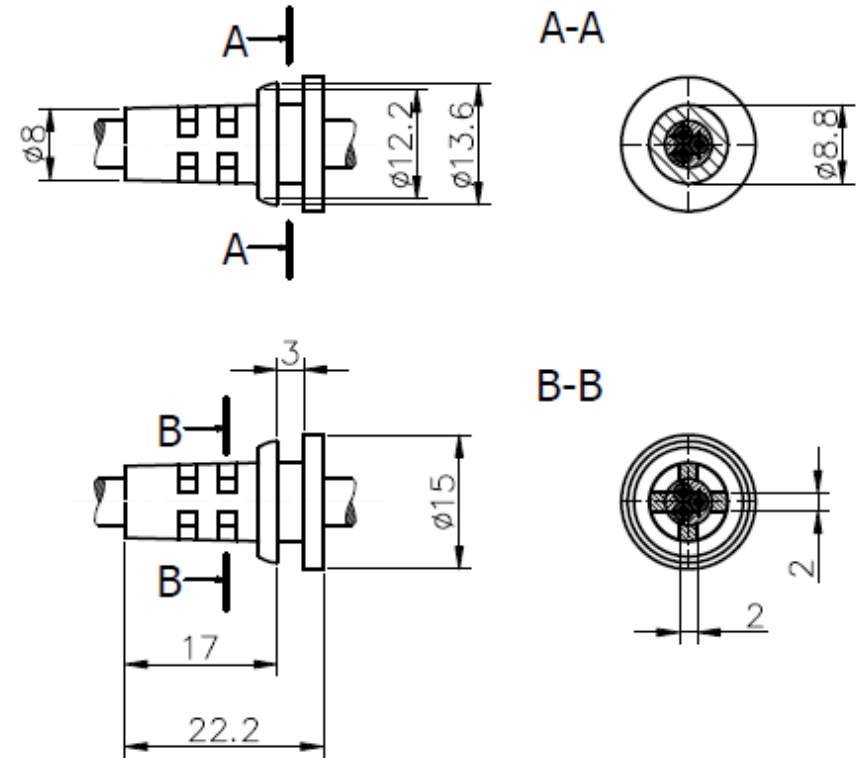
O-37 Bend Protector



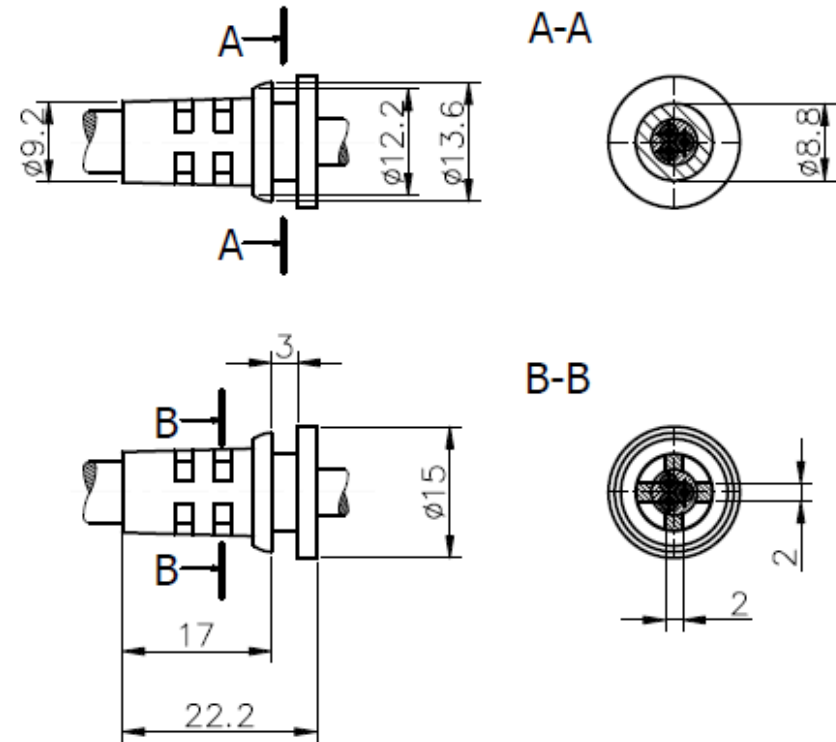
O-38 Bend Protector



O-39 Bend Protector



O-40 Bend Protector



Cable Ends and Terminals

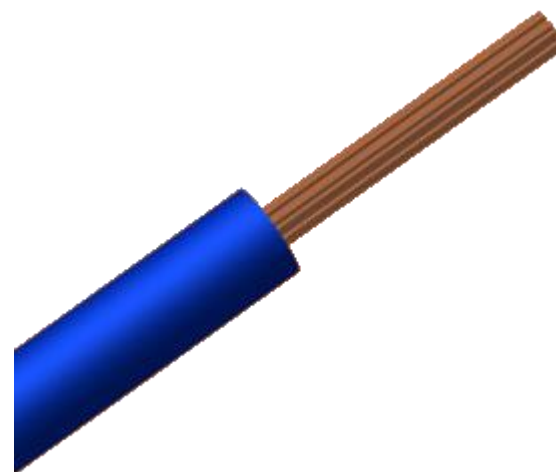
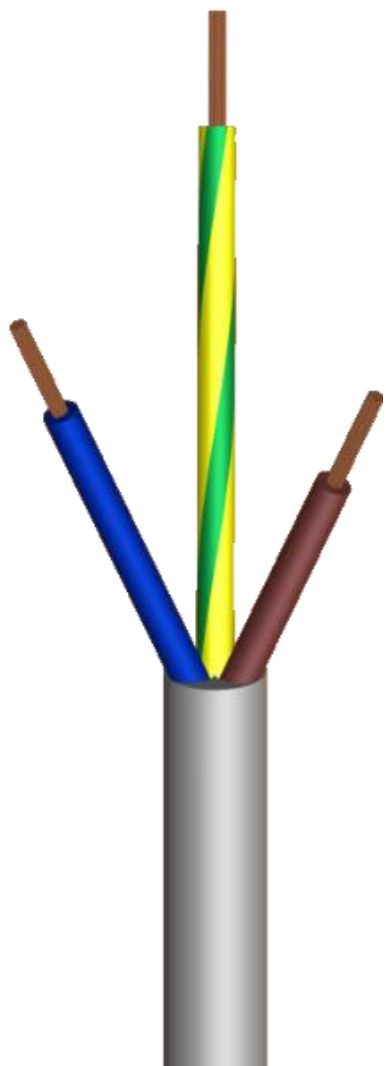
Intended use:

Our equipment and machines enable the cable sheath to be stripped to the desired length; selected cores to be cut to length if necessary and the insulation to be removed.

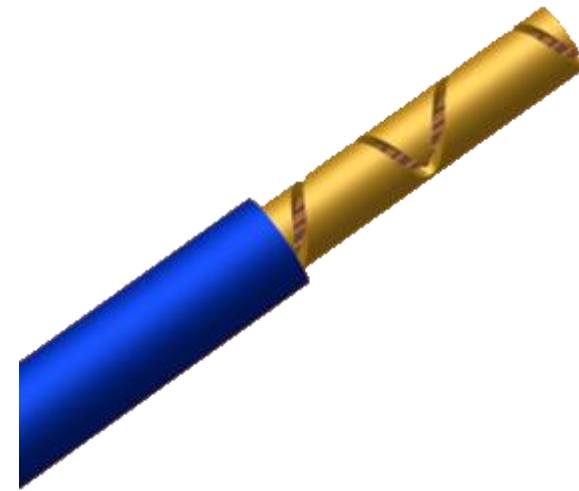
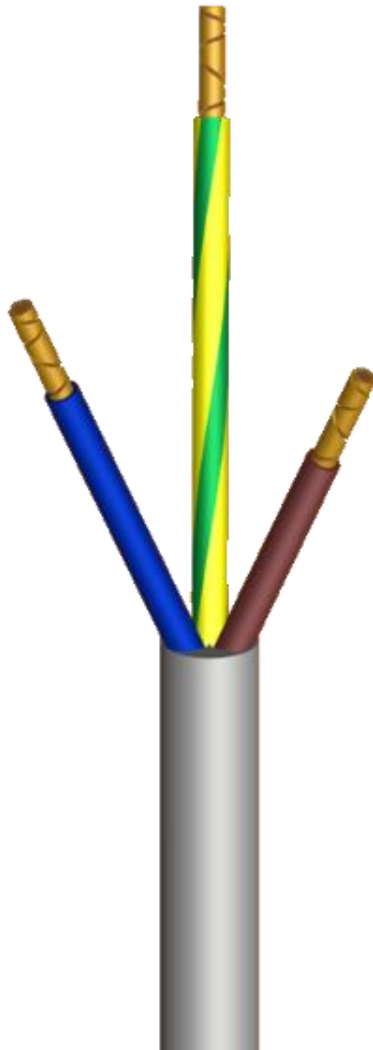
We offer the following free-end core terminations:

- complete removal of insulation,
- partial removal of insulation,
- lead-free tin plating (in accordance with the ROHS directive),
- cuffing assembly:
 - cable end terminal (KZ),
 - non-insulated sleeve end (H),
 - insulated sleeve end (HI),
 - connecting sleeve,
 - connecting insert,
 - connecting sleeve/insert,
 - eyelet tip,
 - forked end,
 - sheath.

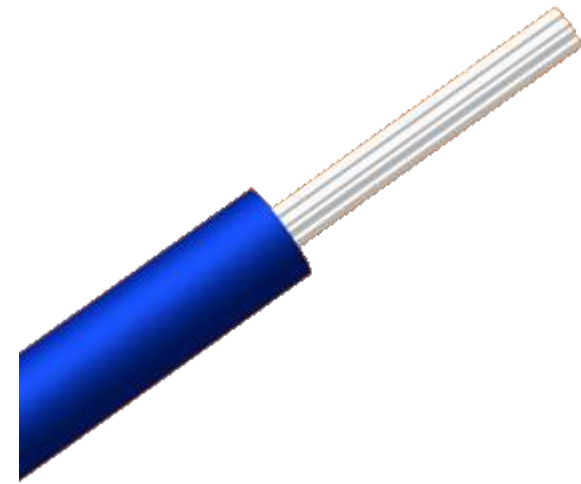
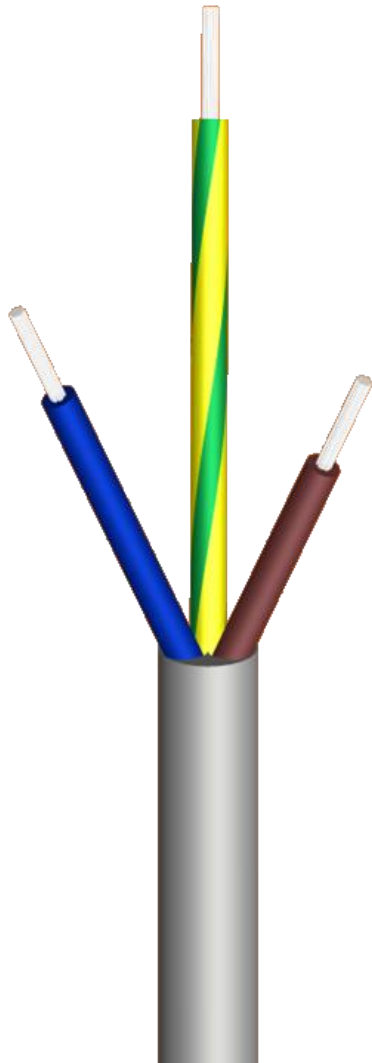
Complete Insulation Stripping



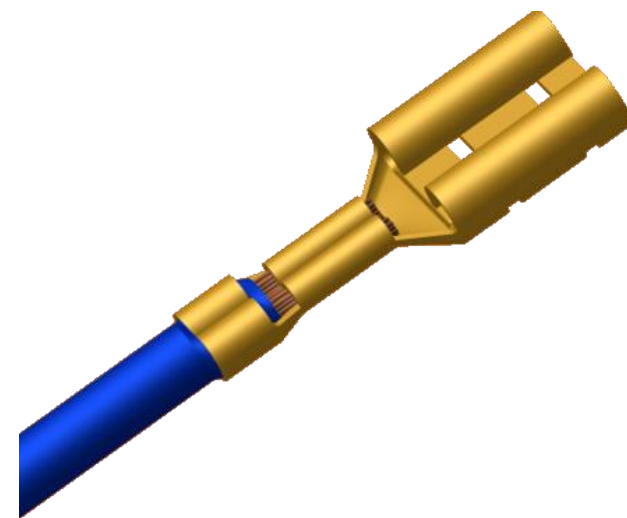
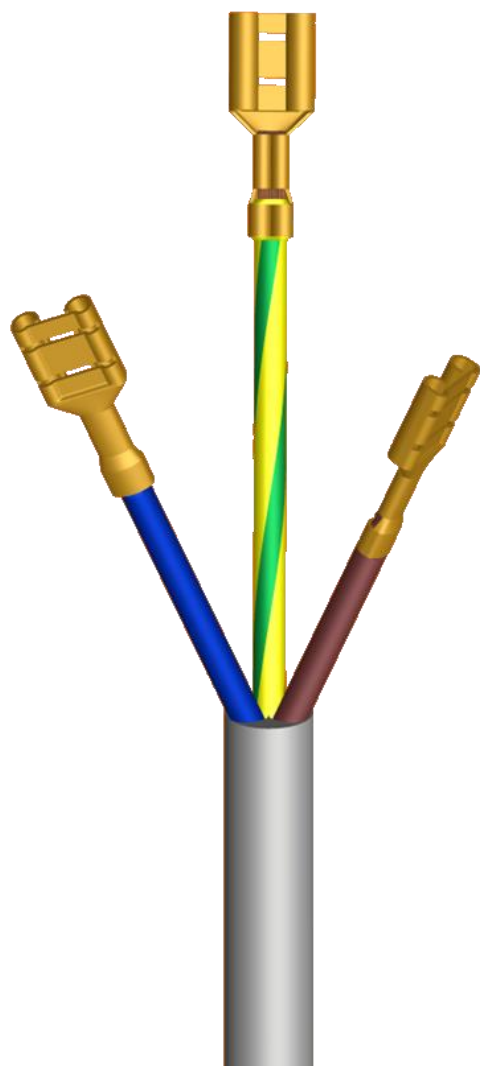
KZ-type End Splices



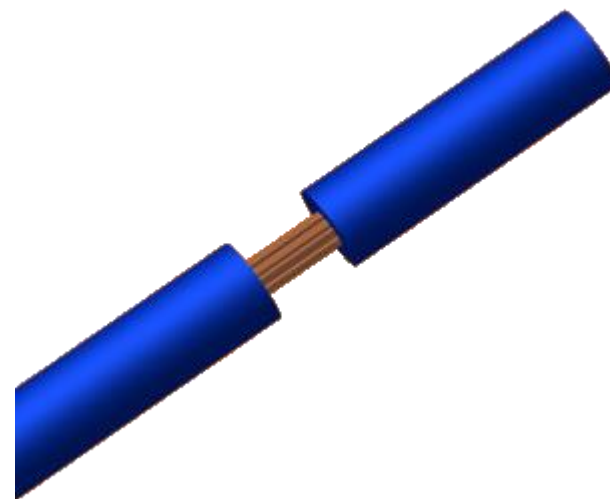
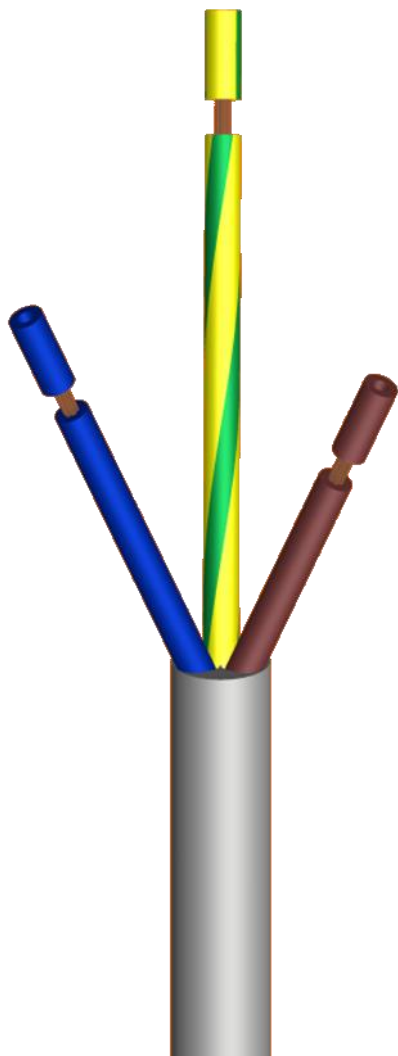
Tin Soldering (lead-free)



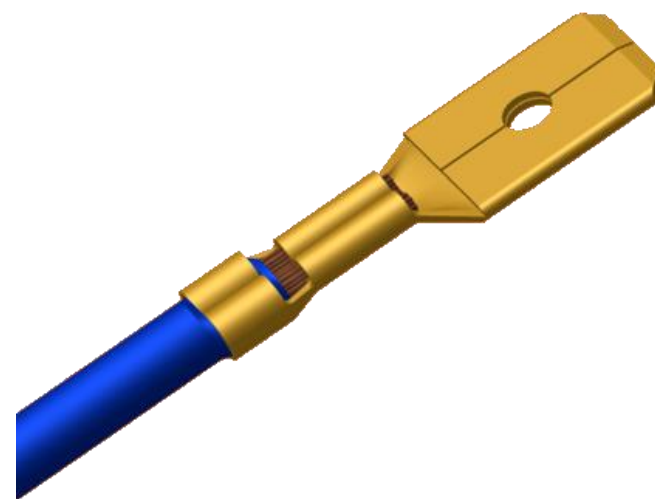
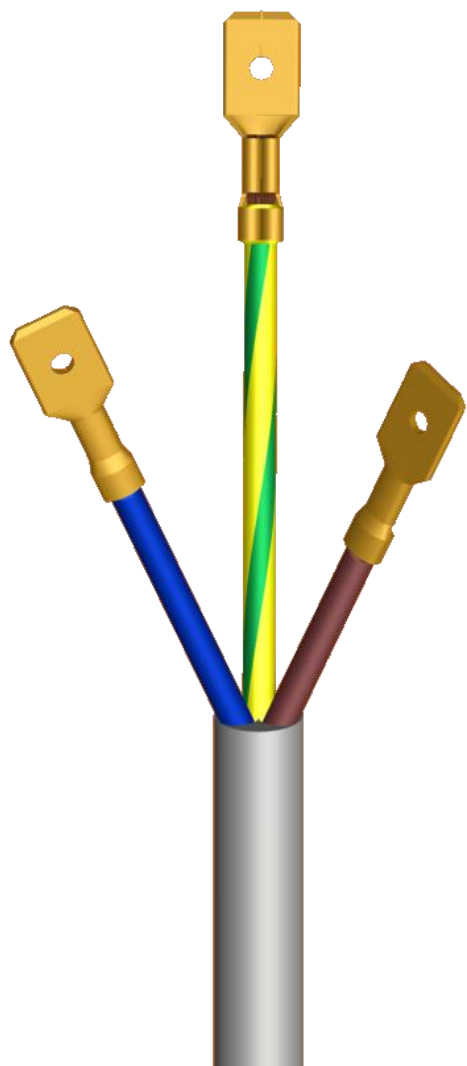
Groove Terminals



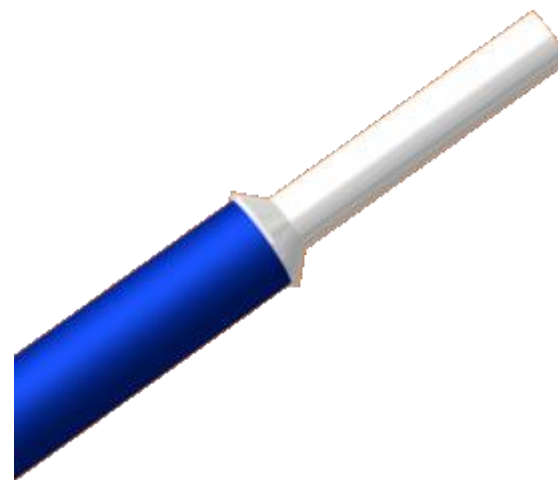
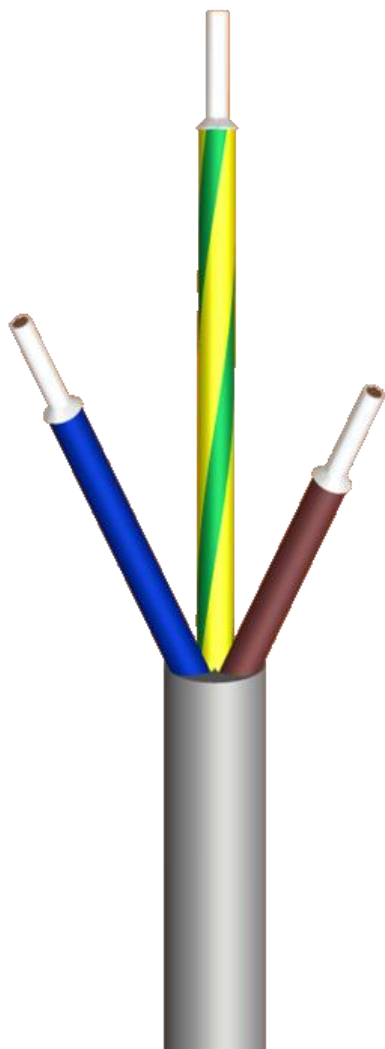
Partial Insulation Stripping



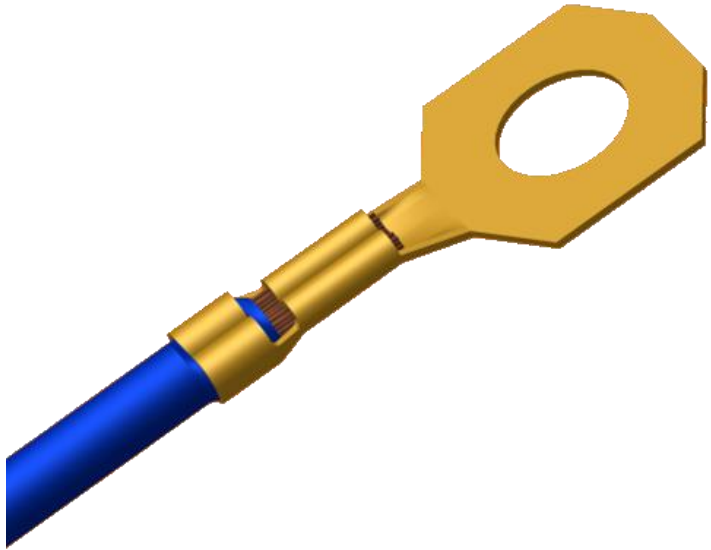
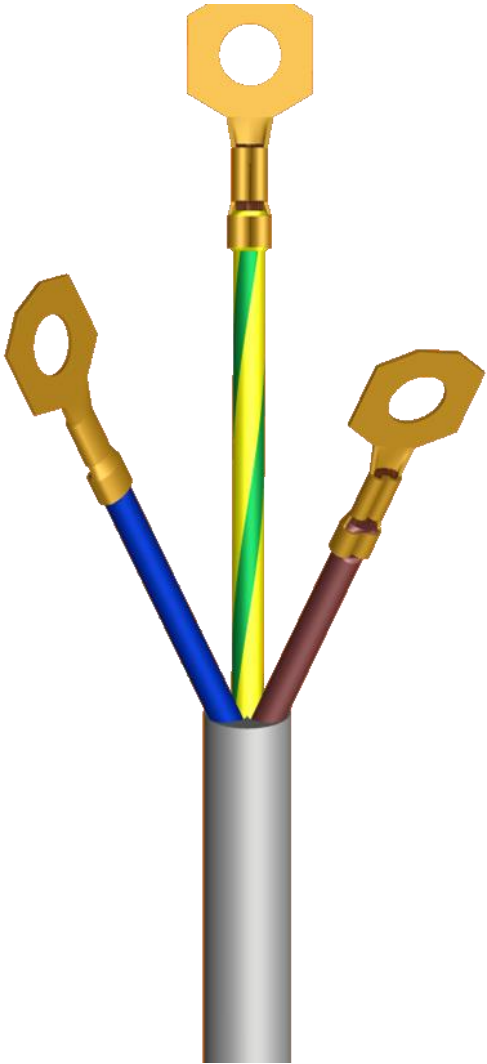
Tongue Terminals



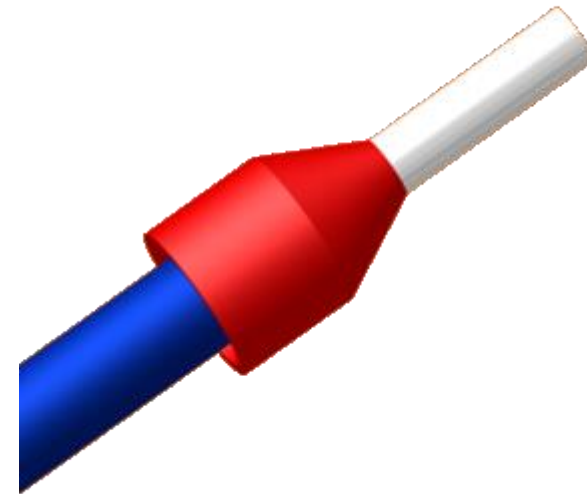
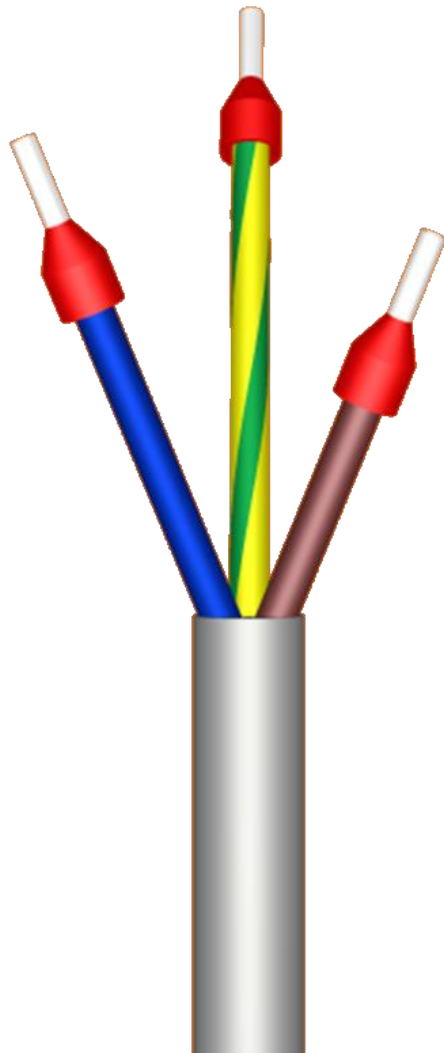
Uninsulated Cord-end Terminals (H)



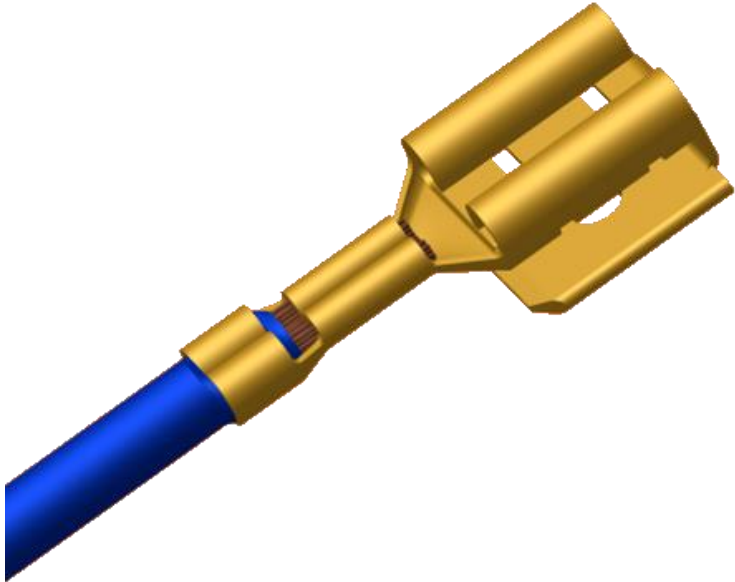
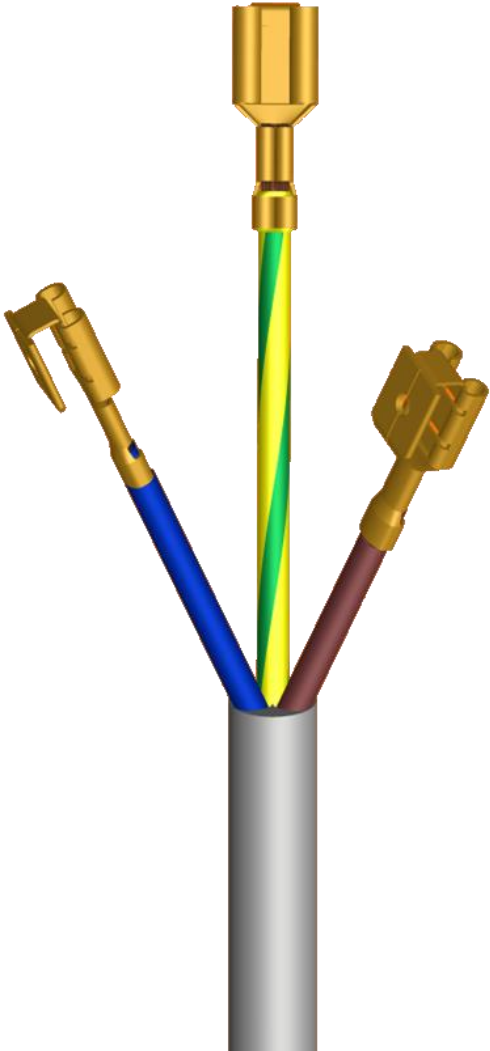
Ring Terminals



Insulated Cord-end Terminals (HI)



„Piggy-Back” Groove Terminals





Extension cords

Extension cords

We produce extension cords to individual customer requirements and this is what **sets us apart** from other manufacturers. Our range will include household, workshop, and drum extension cords.

You can choose the plug, socket, length and type of cable and we will quote for your own extension cord.

You don't have to order 1000 pieces! We deliver small batches and take a flexible approach to all topics.

Wire Harnesses

Wire Harnesses

We produce custom wire harnesses adapted to our Clients' needs. We use various kinds of wires: PVC cables, rubber wires, silicone, and cotton. Our machines have the ability to make various free ends with cables up to 4 mm².

We offer the following cable ends:

- complete insulation stripping,
- partial insulation stripping,
- lead-free tin soldering (in accordance with the ROHS directive),
- cable terminals:
 - KZ-type End Splices
 - Uninsulated Cord-end Terminals
 - Insulated Cord-end Terminals
 - Groove Terminals
 - Tongue Terminals
 - „Piggy-Back” Groove Terminals
 - Ring Terminals.

We are happy to meet all your enquiries. We guarantee technical support and professional service. We will answer every question and take appropriate action.

All technical data and information contained in the catalog are for informational purposes only and cannot be the basis for legal claims.

Come and join us



© BSN BIER SIN